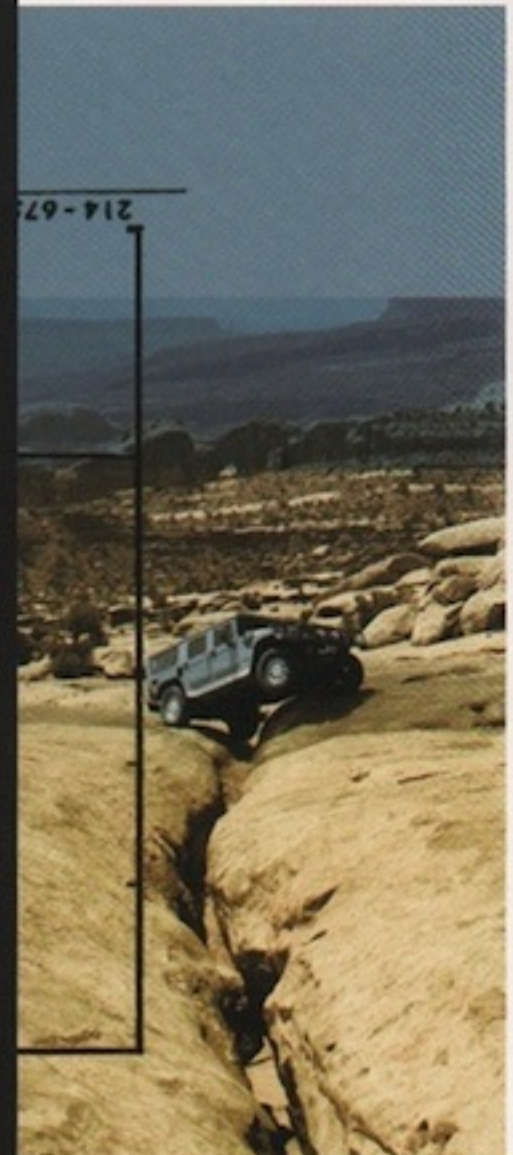


HUMMER



2001



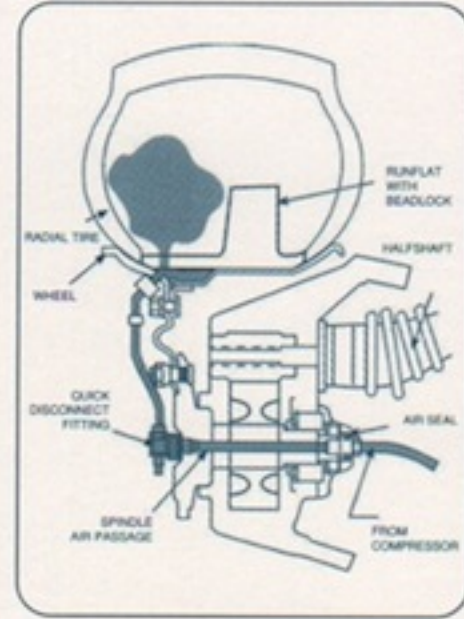
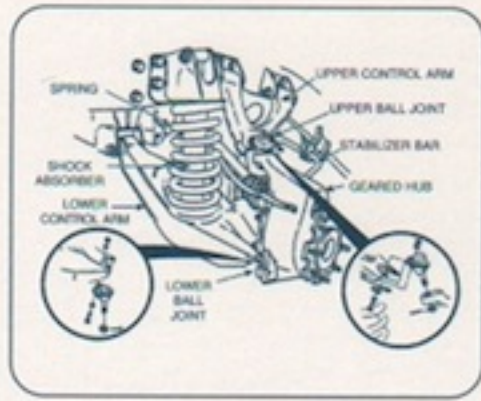
ONE VEHICLE'S BARRIER IS ANOTHER VEHICLE'S ON-RAMP

Most 4x4s' off-road success is 50 percent machine and 50 percent driver ability. The HUMMER's prowess is more like 90 percent machine and 10 percent driver because of its off-road features and abilities. Each is a stand-alone feat of engineering. Consider the HUMMER's unsurpassed 16 inches of ground clearance or its staggeringly steep angles of approach and departure or its optional Central Tire Inflation System. Most 4x4s would consider themselves lucky to boast just one such advancement. The HUMMER, however, houses dozens within a seemingly indestructible, heat-treated aluminum alloy body. Panels are first bonded together, then riveted. The end result is the uncontested king of all off-road vehicles.

The maneuvers depicted in this brochure are performed by trained drivers and are intended to showcase the extraordinary capabilities of the HUMMER. Do not attempt to perform them yourself without proper training. See your HUMMER dealer or www.HUMMER.com to find out more about AM General's HUMMER Driving Academy. The photography in this brochure features the HUMMER in environmentally approved areas for off-road use. General Motors and AM General remind off-road drivers to respect the privilege of driving on public lands and to follow the guidelines established by the Tread Lightly!® program.

Suspension System

The HUMMER has a 4-wheel, fully independent suspension system and variable-rate heavy-duty springs. The front suspension incorporates a large stabilizer bar to improve handling and reduce sway when turning. The HUMMER's suspension system combined with the wheel and tire assembly provides a comfortable ride even on the roughest terrain.

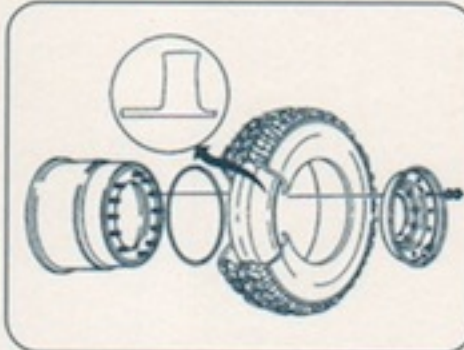


Optional Central Tire Inflation System

The HUMMER's Central Tire Inflation System (CTIS) enables you to adjust tire pressure on the move to adapt to varied terrain. When the HUMMER's tires are deflated, the size of the tire footprint is increased, giving you better traction in snow, loose sand, and mud.

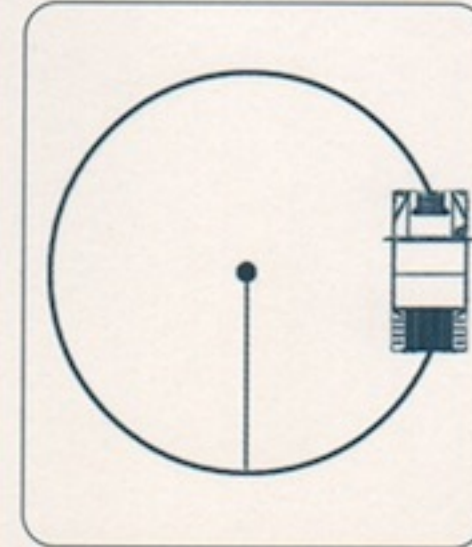
Optional Runflat System, Tire Size, And Wheel Base

The HUMMER can be equipped with a runflat tire system that allows you to travel up to 20 miles at 30 mph on flat tires. Originally designed for the military, the system ensures that a flat tire is one more obstacle the HUMMER can overcome. In addition, the HUMMER's 37" tires, 72" track width, 130" wheelbase, and superior wheel travel all contribute to the HUMMER's outstanding performance.



Turning Radius

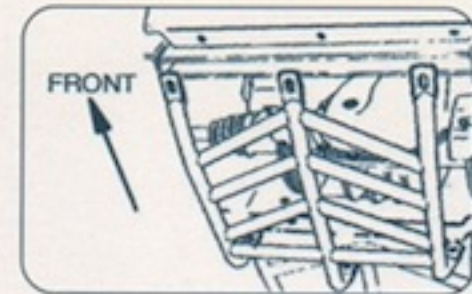
An incredibly tight turning radius of 26.5 feet enables the HUMMER to maneuver its way out of tricky spots.



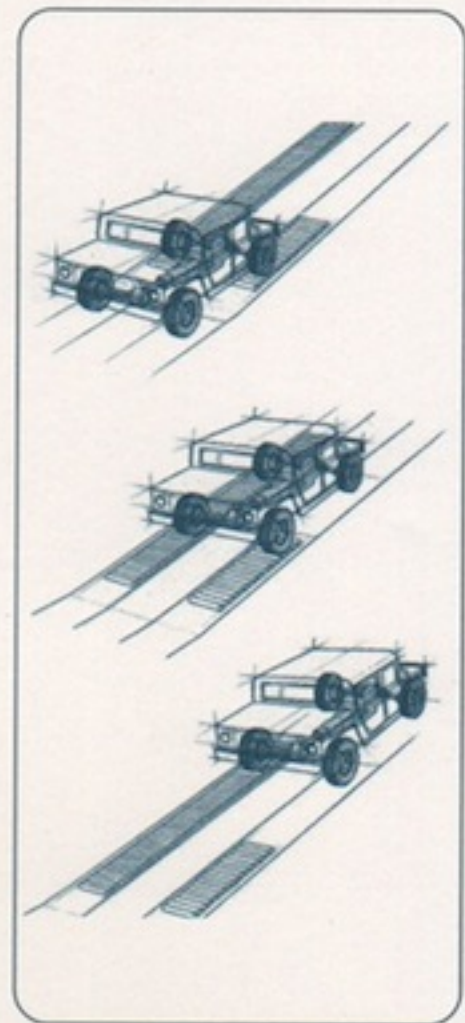
Optional Driveline And Rocker Panel Protection

Boulder gashes and drivetrain damage are less of a concern in a HUMMER, thanks to 3/16" thick T6 aluminum rocker panel and tubular steel driveline protection.

Driveline Protection



Rocker Panel Protection

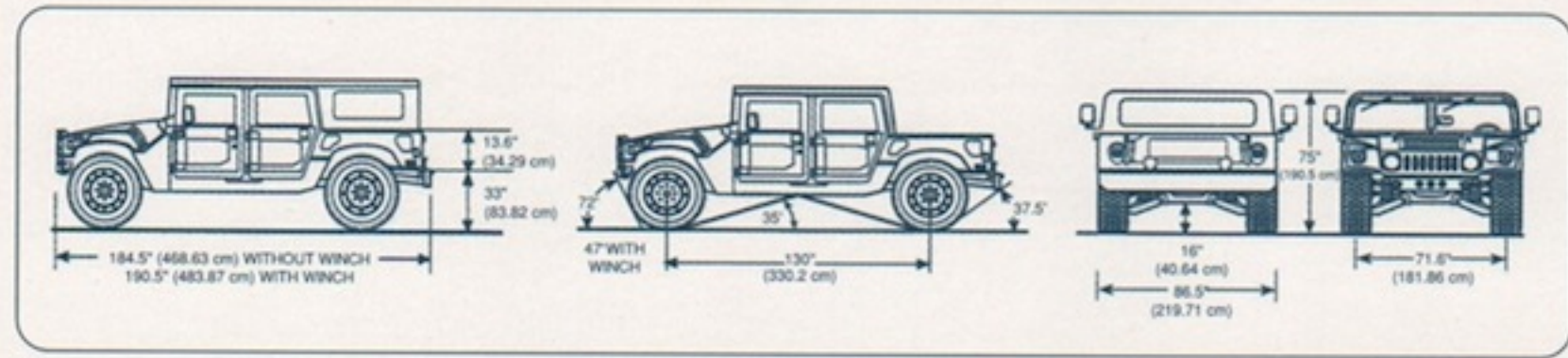


TorqTrac 4 (TT4)

The HUMMER's TorqTrac 4 (TT4) technology continuously monitors the rotational speed of each wheel. The unique 4-channel system automatically reduces tire spin on severe terrain or slippery surfaces by applying the brake to the spinning wheel, allowing the differential to redistribute torque to those wheels with traction. Equipped with Torsen II limited slip torque-biasing differentials and a locking 2-speed transfer case, it provides an impressive mix of electronic and mechanical systems.

Dimensions

The HUMMER is a beast of a vehicle. Its low center of gravity, long wheelbase (130"), and 72" track width make the HUMMER extremely stable, even on 40% side slopes. The HUMMER's 37" tires are the largest available, and its full 16 inches of vertical ground clearance is almost double that of any other 4x4. Approach and departure angles, of 72 degrees and 37.5 degrees respectively, enable ascent and descent of steep grades without vehicle interference. Quite simply, the HUMMER is unrivaled and virtually unstoppable.



SPECIFICATIONS AND PERFORMANCE DATA :: :: :: :: ::

Please call 1.800.732.5493 or visit our Web site at www.HUMMER.com

	2-Door Hard Top		4-Door Hard Top		4-Door Open Top		4-Door Wagon	
	Standard	Metric	Standard	Metric	Standard	Metric	Standard	Metric
Curb Weight (Note 1):								
10,300-/10,800-lb. GVWR	6,564 lbs.	2,977 kg	6,964 lbs.	3,159 kg	6,814 lbs.	3,091 kg	7,154 lbs.	3,245 kg
Payload (Notes 1 & 2):								
10,300-lb. GVWR	3,736 lbs.	1,695 kg	3,336 lbs.	1,513 kg	3,486 lbs.	1,581 kg	3,146 lbs.	1,427 kg
10,800-lb. GVWR	4,300 lbs.	1,950 kg	3,900 lbs.	1,769 kg	NA	NA	3,710 lbs.	1,683 kg
Gross Axle Weight Rating:								
Front: 10,300-/10,800-lb. GVWR	4,100 lbs.	1,860 kg	4,100 lbs.	1,860 kg	4,100 lbs.	1,860 kg	4,100 lbs.	1,860 kg
Rear: 10,300-/10,800-lb. GVWR	6,800 lbs.	3,084 kg	6,800 lbs.	3,084 kg	6,800 lbs.	3,084 kg	6,800 lbs.	3,084 kg
Maximum Towed Load (Note 3):								
10,300-/10,800-lb. GVWR	8,236 lbs.	3,739 kg	7,836 lbs.	3,557 kg	7,986 lbs.	3,626 kg	7,646 lbs.	3,471 kg
Length (Note 1):	184.5 in.	4,686 mm	184.5 in.	4,686 mm	184.5 in.	4,686 mm	184.5 in.	4,686 mm
Maximum Height:	75 in.	1,905 mm	75 in.	1,905 mm	77 in.	1,956 mm	75 in.	1,905 mm
Width (Without Mirror):	86.5 in.	2,197 mm	86.5 in.	2,197 mm	86.5 in.	2,197 mm	86.5 in.	2,197 mm
Wheelbase:	130 in.	3,302 mm	130 in.	3,302 mm	130 in.	3,302 mm	130 in.	3,302 mm
Ground Clearance:	16 in.	406 mm	16 in.	406 mm	16 in.	406 mm	16 in.	406 mm
Track Width:	71.6 in.	1,819 mm	71.6 in.	1,819 mm	71.6 in.	1,819 mm	71.6 in.	1,819 mm
Grade Capability:	60%	60%	60%	60%	60%	60%	60%	60%
Side-Slope Capability:	40%	40%	40%	40%	40%	40%	40%	40%
Approach Angle Without Winch:	72°	72°	72°	72°	72°	72°	72°	72°
Approach Angle With Winch:	47°	47°	47°	47°	47°	47°	47°	47°
Departure Angle:	37.5°	37.5°	37.5°	37.5°	37.5°	37.5°	37.5°	37.5°
Runflat Capability (Note 4):								
(At 30 mph)	20 miles	32.2 km	20 miles	32.2 km	20 miles	32.2 km	20 miles	32.2 km
Turning Radius:	26.5 ft.	8.1 m	26.5 ft.	8.1 m	26.5 ft.	8.1 m	26.5 ft.	8.1 m



4-Door Hard Top



4-Door Open Top



4-Door Wagon



2-Door Hard Top

Notes: 1) The data on this page applies to models without winch and optional accessories. Models with winch are impacted as follows: Payload: Decrease by 137 lbs.; Curb Weight: Increase by 137 lbs.; Length: Increase by 6 in. 2) Payload includes passengers, optional equipment and trailer tongue weight. 3) Maximum towing capacity will vary based on vehicle loading. Gross Combination Weight (GCW) of vehicle and trailer cannot exceed 14,800 lbs. for highway use only. A weight-carrying hitch gives your vehicle the capability to tow a maximum weight of 5,000 lbs. A weight-distributing hitch with spring bars may give your vehicle the capability to tow a maximum weight of up to 8,236 lbs., depending on model. These are not necessarily weights the vehicle will tow at sustained highway speeds or varying altitudes. NOTE: The maximum allowable weight your vehicle can tow off-road, no matter what type of hitch is being used, is 5,000 lbs. 4) Optional, for emergency use only, a "get home" capability that will cause tire damage. Consult your local HUMMER dealer for availability of accessories and current specifications. All specifications are based on latest information available at time of printing. Pictured vehicles may vary from actual production models. Manufacturer reserves the right to change prices, colors, materials, equipment and specifications at any time and without prior notice. Details and specifications may vary according to local regulations and conditions. Some models may not be available at all times in all markets. See your North American dealer for 3-year/36,000-mile warranty details. Copyright General Motors Corp., 2000. HUMVEE™, TorqTrac 4 (TT4/ABS)™, Hummer Genuine™ are registered trademarks of AM General Corporation. HUMMER® and the vehicle's grille design are registered trademarks of General Motors Corporation.

COMPONENTS AND FEATURES

• Engine Type: V8, 6.5L Diesel Turbocharged, Electronically Controlled • Horsepower: (@ 3,400 rpm): 195 hp (145 kW) • Torque: (@ 1,800 rpm): 430 lb.-ft. (583 Nm) • Displacement: 396 cu. in. (6.5L) • Bore And Stroke: 4.06 x 3.82 in. (10.3 x 9.7 cm) • Compression Ratio: 20.2:1 • Maximum Speed: 83 mph (134 kph) • Fording Depth: 30 in. (76.2 cm) • Fuel Capacity: 25 gal. (95L). Plus 17 gal. (64L) res. • Transmission: 4L80-E 4-Speed Automatic • Gear Ratios: 1st - 2.48:1, 2nd - 1.48:1, 3rd - 1.00:1, 4th - 0.75:1, Reverse - 2.08:1, Torque Converter Ratio - 2.2:1 • Transfer Case: Model 242, 2-Speed • Gear Ratios: Low 2.72:1, High 1:1 • Axles: Hypoid With A Ratio Of 2.56:1. Continuous Torque Rating Is 1,424 lb.-ft. • Geared Hubs: Gear Ratio - 1.92:1 • Frame: Steel Box Section With Five Cross Members • Electrical: 12-Volt 124-Amp Alternator • Steering: Power Assisted • Differential:

Zexel Torsen® II Torque-Biasing Differential • Brakes: Hydraboost 4-Wheel Inboard Mounted ABS Power Disc Brakes. Parking Brake Manually Activates Rear Service Brakes. • Suspension: 4-Wheel Independent Double A-Frame With Coil Springs • Tires: 37 x 12.50R-16.5 LT Load Range "D" Radials

STANDARD EQUIPMENT

• 4-Speed Automatic Transmission • 4-Channel ABS 4-Wheel Power Disc Brakes • Tire Beadlock System • Auxiliary Fuel Tank • Tachometer • Utility Lighting Package • Halogen Headlights • Aluminum Body • Tonneau Cover (Model Specific) • 124-Amp Alternator • Vertical Rear Doors (Wagon Only) • Full-Time 4WD System • Power Steering • High-Back Bucket Seats • 3-Point Seat Belts • Power Door Locks • AM/FM

Stereo With Cassette • Geared Hubs • EZ-Kool® Glass • Inboard Mounted Armrests • Sliding Rear Window (Model Specific) • Power Windows With Remote Keyless Entry • Air Conditioning With Auxiliary Rear Unit • TorqTrac 4 (TT4) • 16.5" 2-Piece Steel Wheels With Dual Beadlock • Goodyear 16.5" MT Tires

OPTIONAL EQUIPMENT

• Central Tire Inflation System (CTIS) • Trailer Towing System • Driveline Protection • Runflat Tire System • Privacy Glass (Model Specific) • Power Mirrors • Heated Exterior Mirrors • Heated Windshield • Deluxe Rearview Mirror • Cruise Control • Rocker Panel Protection • 10,800-lb. GVW for Fleet Use Only • Brush Guard • 12,000-lb. Winch • Goodyear GS-A Tires • Goodyear MT/R Tires • 17" 1-Piece Aluminum

Wheels With Integrated Bead Retainer • 17" 2-Piece Aluminum Wheels With Dual Beadlock, Runflat and CTIS • Rear Window Defroster (Model Specific) • Monsoon™ Premium Audio System With CD Player/Changer, Weatherband, and Rear Seat Audio • Power Package Including Cruise Control, Heated Power Mirrors, Lighted Visor Mirrors, Deluxe Rearview Mirror (Model Specific)

EXTERIOR COLOR OPTIONS

• Black • Bright White • Candy Apple • Mesa Dusk • Metallic Pewter • Silver Metallic • Woodland Green • Ocean Blue Metallic • Competition Yellow

INTERIOR COLOR OPTIONS

• Cloud Gray Cloth • Sandstorm Cloth