



THE NEW A-CLASS.

Mercedes-Benz



## CLASS FOR EVERY DAY.

Automotive luxury for every day: the new A-Class Compact Saloon blends effortless sportiness with luxury-class comfort and brings a new sense of dynamism to the compact segment. Discover a flexible everyday companion that lets you tackle any challenge with class.





## DYNAMIC FROM EVERY PERSPECTIVE.

The perspective from which most observers will perceive the new A-Class, not just in terms of statistics: from behind. With the new LED rear lamps that come as standard and the distinctive rear diffuser with integral chrome wing in the Progressive equipment line, the new A-Class is perfectly prepared for interested glances.







## EXPRESSIVE FRONT-END DESIGN FOR MAXIMUM PRESENCE.

More than ever before, the exterior of the new A-Class epitomises emotion and sporty aspiration. It all starts with the progressive front end, with its striking radiator grille with Mercedes-Benz pattern and flat, optional MULTIBEAM LED headlamps. And then follows through with accents such as the powerdome on the downward-sloping bonnet.



The image shows the interior of a Mercedes-Benz A-Class car, focusing on the driver's side. The seats are upholstered in a dark, textured material, likely leather or a high-quality synthetic material. The dashboard and center console are also in a dark color. A prominent feature is the blue ambient lighting that runs along the side of the dashboard and under the front seats. The steering wheel is visible, and the instrument cluster and infotainment screen are illuminated. The overall atmosphere is modern and sophisticated.

## RELAXATION BEGINS WHILE DRIVING.

Simply drive off and arrived relaxed. For the new A-Class pampers you as required with comfort highlights from the premium class. Enjoy the emotively appealing ambient lighting on every journey, with 64 colours which create fascinating colour worlds or the intensive and exclusive listening experience with the optional Burmester® surround sound system.

AIRBAG

The fingerprint sensor shown is currently not available.





## COMFORT FOR EVERY DAY.

The high-quality and innovative interior welcomes you with a new design for the multifunction sports steering wheel with Touch Control Buttons and the sports front seats with new choices of upholstery as well as the display and control elements.

The fingerprint sensor shown is currently not available.





### Media display with 26 cm (10.25-inch) LCD colour display.

The second generation of the innovative MBUX Entertainment System makes the interior of the new A-Class even more digital. Experience the improved operating concept on the standard 26 cm (10.25-inch) media display to activate and manage individual settings.



### MULTIBEAM LED (Optional).

On the motorway, on rural roads or in urban traffic: the adaptive MULTIBEAM LED headlamps use intelligent lighting functions to illuminate the road surface for you in accordance with the situation, so ensuring outstanding visibility. This is because the headlamps react to the current traffic situation with the aid of individually controlled LEDs.



### New 3-spoke multifunction steering wheel.

You can also look forward to a new steering wheel generation in the new-generation A-Class. The 3-spoke steering wheel in black leather includes seamlessly integrated Touch Control buttons and thus makes operation easy thanks to its intuitive control logic.



### New light-alloy wheels in a progressive design.

Last but not least, the flush light-alloy wheels play a key role in the self-assured appearance of the A-Class. This is precisely why there are now further wheel designs of 45.7cm (18 inches) in dimension, which underscore the sporty character. But it doesn't stop there: light-alloy wheels with dimensions of up to 48.3 cm (19 inches) are also available as an option.



## Progressive.

Details such as the fine Mercedes stars on the radiator grille characterise the exterior of your A-Class. The sports front seats of the Seat Comfort Package ensure relaxed travelling. Numerous assistance systems also support you as you drive.

With the Progressive equipment line you add highlights on and in your A-Class in a targeted manner. The visible tailpipe trims underline the dynamic ambitions of the Compact Saloon. Trim elements in a dark carbon-fibre look add flourishes in the interior too. A choice of seat covers in various colours and materials is also available.





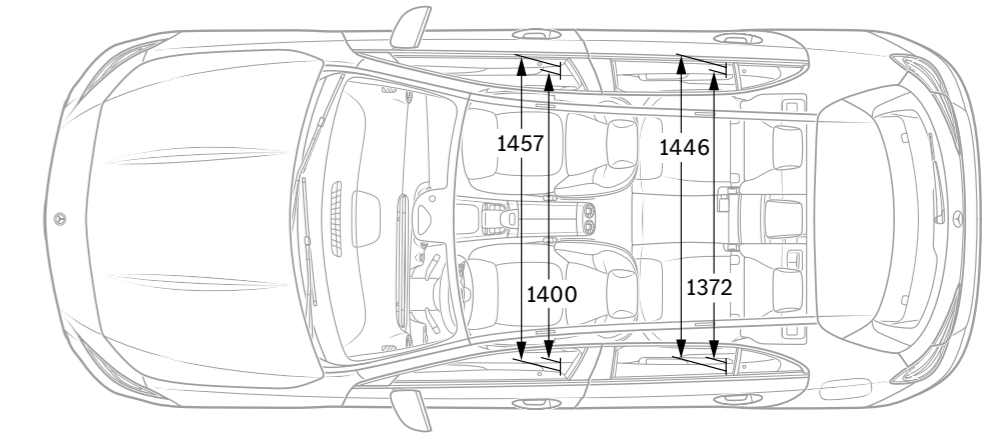
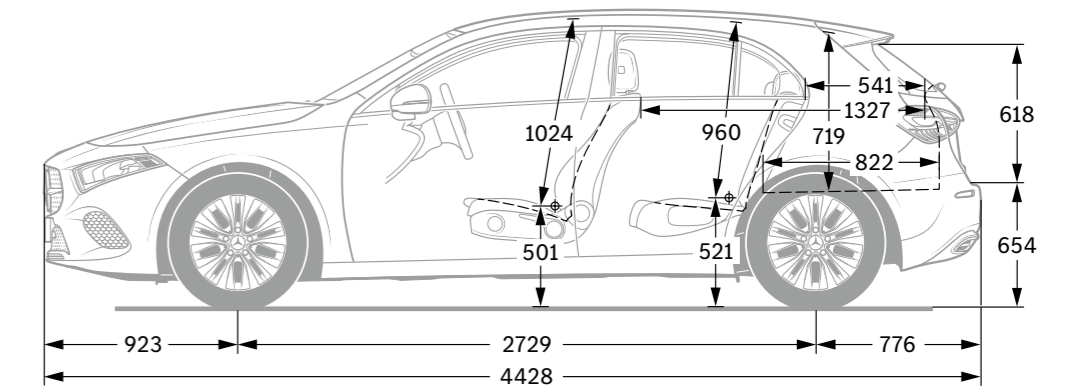
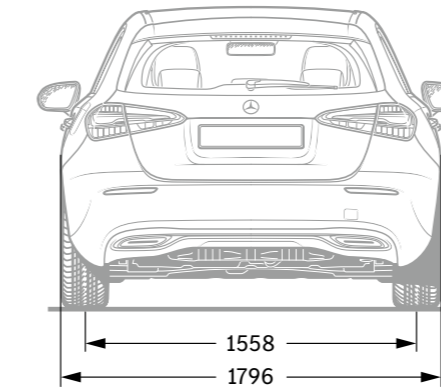
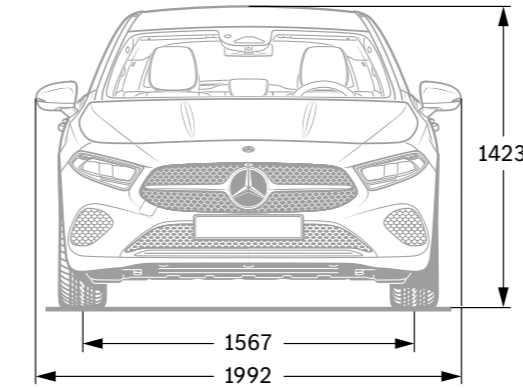
## Technical data.

<b>A 180 Progressive</b>	
Number/Cylinder arrangement	4/In-Line
Displacement (cc)	1,332
Rated output (kW [hp] at rpm)	96 [130] / 5,500
Rated output (Nm at rpm)	230 / 1,650 - 3,500
Acceleration from 0 - 100 km/h (s)	9.2
Top speed (km/h)	215
Fuel consumption (l/100km)	6.2
Transmission	7G-DCT
Drive System	Front Wheel Drive
Combined CO2 emissions (g/km)	141
VES	B
Tank capacity (l/reserve)	43/5
Turning circle (m)	11

**The best for the engine:**  
Mercedes-Benz genuine engine oils.

The availability of the communication module (LTE) is temporarily limited for certain vehicles due to supply bottlenecks. Please note that especially Mercedes me connect services including the emergency call system (eCall) are not available in the affected vehicles upon delivery. For further enquiry, please contact your Mercedes-Benz Sales Representative or Cycle & Carriage Customer Assistance Centre at 6471 9111. 1 Rated output and torque figures in accordance with Directive 80/1269/EEC in the currently applicable version. 2 Fuel consumption figures are derived from combined tests & tested by local regulations in accordance with UN ECE R101. Under real-life driving conditions deviations may occur in comparison to the certified standard values. The actual values are influenced by a number of individual factors, such as personal driving style, environmental and route conditions. Further technical data may be found on [www.mercedes-benz.com.sg](http://www.mercedes-benz.com.sg).

## Dimensions.



All figures in millimetres. The dimensions shown are mean values. They are valid for vehicles with standard equipment and in unladen condition.



**Please note:** changes may have been made to the product since the editorial deadline (June 2023). The manufacturer reserves the right to make changes to the design, form, colour and the product specification during the delivery period, provided these changes, while taking into account the interests of the vendor, can be deemed reasonable with respect to the purchaser. Where the seller or the manufacturer uses symbols or numbers to describe an order or the subject of an order, no rights may be

derived solely from these. The illustrations may show accessories and items of optional equipment which are not part of standard specification. For current and more specific information in relation to the regulations and requirements in your own country and their consequences, please contact our authorised dealer.

**[www.mercedes-benz.com.sg](http://www.mercedes-benz.com.sg)**

Mercedes-Benz Singapore Pte. Ltd.



**CYCLE & CARRIAGE**

**Mercedes-Benz Singapore Customer Care Center:** 1800 329 7540 · [cs.sgp@cac.mercedes-benz.com](mailto:cs.sgp@cac.mercedes-benz.com)

**Cycle & Carriage (Authorised Dealer) - Showroom Enquiries:** 6298 1818.

Mercedes-Benz Center, 301 Alexandra Road, Singapore 159968. Mon – Sat: 8.30 am – 7 pm, Sun & PH: 10 am – 6 pm.