



AMG



MERCEDES-AMG

GLC 43 4MATIC COUPÉ.



ENVY LIES IN THE EYE OF THE BEHOLDER.



MERCEDES-AMG: THE STORY. TWO MEN, THREE LETTERS.

Two men with a passion for motorsport and engineering founded AMG in 1967 (A for Aufrecht, M for Melcher and G for Großaspach, where they would spend all of their spare time honing their passion and perfecting engines). Hans Werner Aufrecht and Erhard Melcher saw an opportunity on every wide open road, an invitation in every curve, an affirmation in every victory: for more performance and more power. Today, this passion is infused into the very DNA of every Mercedes-AMG, just like its numerous successes on racetracks around the world.

For over a decade and more, the AMG brand in India has reigned over the hearts of performance car enthusiasts and those who are passionate about driving performance. The onslaught of AMGs has progressively created quite a stir with multiple AMGs right from the 43s, 45s, 53s, 63s to the GT series ruling the Indian roads.

The dynamics of 43 series offers the same tingling sensation as other AMG models. Between the comforts of mainstream Mercedes-Benz vehicles and the guttural sportiness of the Mercedes-AMG range, the Mercedes-AMG 43 family promises to offer a happy middle ground serving enhanced driving performance that is usable day-to-day.



HARD TO BELIEVE. BUT QUICK TO PROVE ITSELF.

Outstanding suitability for everyday use and palpably more dynamics. The new Mercedes-AMG GLC 43 4MATIC Coupé offers AMG sportiness and Mercedes-Benz comfort. With its enhanced performance from its 3.0 liter V6 biturbo engine, you will be significantly more agile on the road and with more lateral dynamics to boot. The Mercedes-AMG GLC 43 4MATIC Coupé delivers pure driving power fit for a racing circuit. It delivers on-road performance at par excellence.

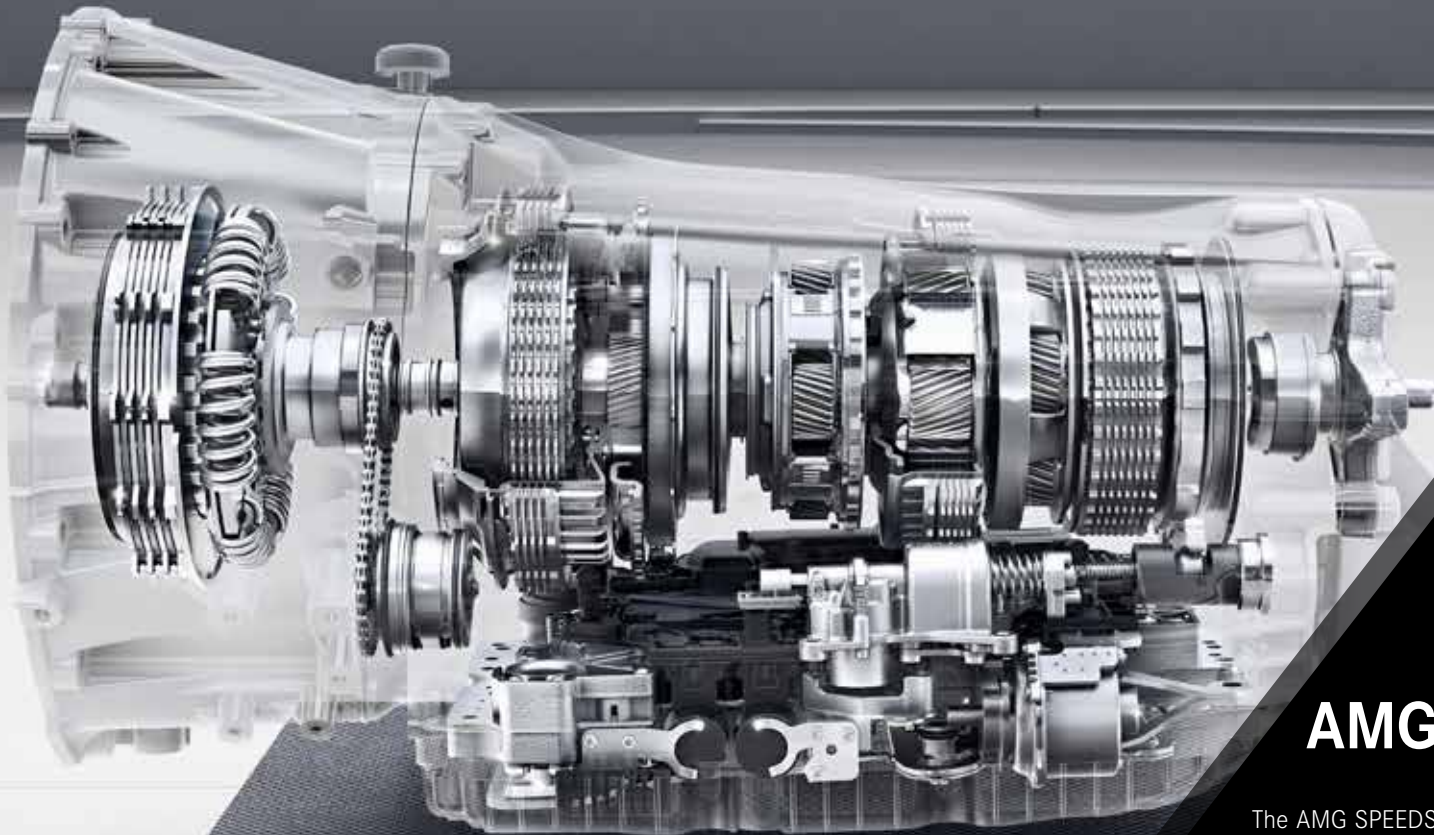
3.0-LITRE V6 BITURBO ENGINE WITH AMG KNOW-HOW.

The 3.0-litre V6 biturbo engine is rated at **287 kW** (390 HP) and **520 Nm**. The result is a special and particularly emotive 43-style feeling with additional performance thanks to a higher charge pressure.

The crankcase and cylinder head are made of lightweight aluminium for less weight on the front axle and more agility. The cylinder barrels are coated with NANOSLIDE® technology which provide ideal lubrication and reduce friction.

390 HP/520 Nm





AMG SPEEDSHIFT TCT 9G

The AMG SPEEDSHIFT TCT 9G impresses sporty drivers with dynamic shift characteristics and the emotively appealing double-declutching function.

Depending on the drive mode, it masters fast, sporty gear-changing or comfortable, barely noticeable gear shifts. Its 9 gears ensure that the engine is frequently in the ideal speed range.

If necessary, the torque converter transmission switches to a lower gear in an instant via multiple downshifts in order to call up the engine's full output.

The general characteristics of the transmission can be influenced by selecting the drive mode via AMG DYNAMIC SELECT.



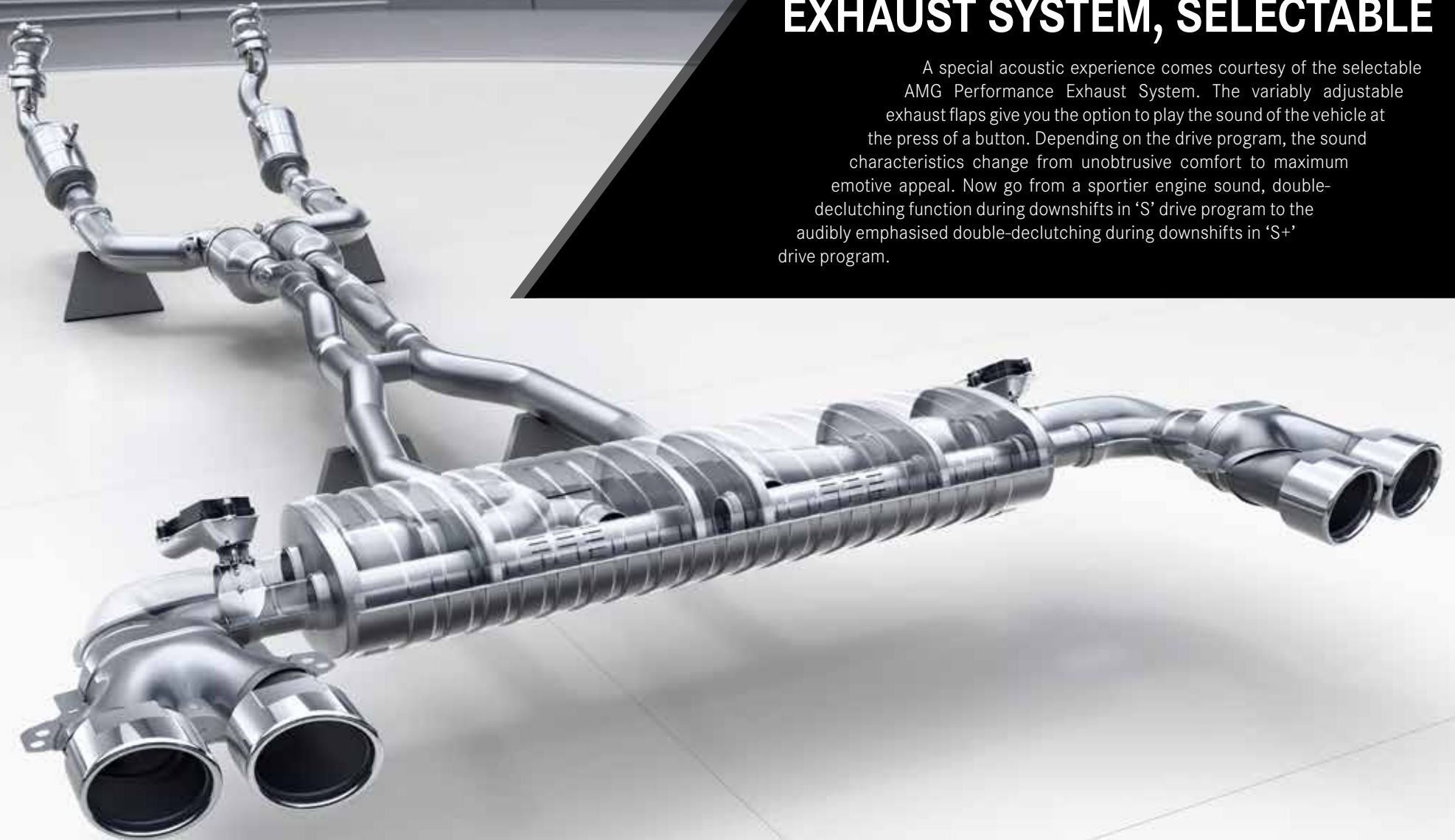
AMG RIDE CONTROL+

The sportily tuned AMG RIDE CONTROL+ suspension combines the advantages of several suspensions in one. The multi-chamber air suspension offers a spread between the most comfortable and most sporty set up and adapts to the given load. It delivers strong performance in every driving situation – just as you wish.

The damping at each wheel is adapted to the current driving situation and road surface condition. This is done rapidly and precisely using separate valves for the compression and rebound of the dampers. A stiffening of the spring rate, for instance in bends or when braking, effectively reduces body roll. With the "Comfort", "Sport" and "Sport+" settings, the multi-chamber air suspension can be set to more comfortable, sporty or very sporty, whereby a wide range between comfort and sport is available and the handling changes noticeably.

AMG PERFORMANCE EXHAUST SYSTEM, SELECTABLE

A special acoustic experience comes courtesy of the selectable AMG Performance Exhaust System. The variably adjustable exhaust flaps give you the option to play the sound of the vehicle at the press of a button. Depending on the drive program, the sound characteristics change from unobtrusive comfort to maximum emotive appeal. Now go from a sportier engine sound, double-declutching function during downshifts in 'S' drive program to the audibly emphasised double-declutching during downshifts in 'S+' drive program.





AMG DYNAMIC SELECT

The drive mode-specific powertrain settings offer a large spread between the different modes.

- **"Comfort"** - Focus is on efficiency and particularly pleasant gear changes.
- **"Sport"** and **"Sport+"** - Use tangibly shorter shift times and activate the acoustically appealing double-declutching function.
- **"Individual"** - Set the transmission characteristics according to your very own personal preferences.
- **"Slippery"** - This provides added traction in slippery conditions by tightening the suspension and distributing power equally across both axes.

CRUISE CONTROL

Enjoy relaxed motoring on longer journeys. Preselect your desired speed and your vehicle takes over the control of the speed. In addition to the travelling speed, the limiter helps you observe a maximum speed, enhancing road safety and protecting you from getting a speeding ticket.

Speed can be set conveniently without taking your hands off the steering wheel. The controls are located in an ideal, ergonomic position on the left spoke of the steering wheel.





Something special. On every trip, from any angle. With the Fit & Healthy features.

Not just a means of arrival at your destination, the new Mercedes-AMG GLC 43 4MATIC Coupé is a thoughtful companion through your journey. The Fit & Healthy features understand, motivate and guide to keep you in the prime of your health while driving. Get ready to elevate your driving experience with a car that cares.

[AMG RIDE CONTROL+](#) | [Cruise Control](#) | [Burmester® Surround Sound System](#) | [Heated Seats, front](#) |

[Electronically adjustable seats with Memory Function and 4-way Lumbar Support](#) | [Ambient Lighting in 64 colours](#)



GAZES WILL FOLLOW YOU – FOR AS LONG AS THEY CAN

Could it get any better? Right from the first glance the newly designed A-shaped AMG-specific radiator grille and the air intakes in the front bumper reveal where the vehicle came from. The typical Coupé line design additionally accentuates its high performance. At the rear you can recognize the AMG directly from the distinct diffuser with the round, double-end pipe panels of the AMG exhaust system.

Another highlight: The 20-inch light-alloy wheels in double-spokes designed exclusively for the AMG GLC 43 Coupé. Despite all its sportiness, the Mercedes-AMG GLC 43 4MATIC Coupé impresses with its hallmark AMG comfort and excellent suitability for everyday use.



MERCEDES-AMG EXTERIOR

The imposing AMG-specific radiator grille with vertical louvers is particularly eye-catching. Other striking features include the AMG front apron with black flics and the rear apron with diffuser. The round twin tailpipe trim elements also add a sporty touch. Aerodynamically optimised AMG light-alloy wheels high-gloss black with a high-sheen finish underscores the hallmark AMG appearance when viewed from the side.

Key Highlights:

- AMG bodystyling:
 - ✓ AMG-specific radiator grille with vertical, black louvers and trim strip in high-gloss chrome as well as "AMG" lettering
 - ✓ AMG front apron with distinctively sporty air intakes, each with 2 side louvres in silver chrome and also black flics
 - ✓ AMG spoiler lip on the boot lid in the vehicle color
- AMG rear apron with diffuser and two round twin tailpipe trim elements in high-gloss chrome
- Badge with "BITURBO 4MATIC" lettering on the front wings
- Beltline trim strip and window weather-strips in black
- Grey-painted front brake callipers with black "AMG" lettering

AMG NIGHT PACKAGE

The high-gloss black details give a fascinating all-round look. These include the AMG front apron with A-wing together with integral trim strip, the black chrome-plated twin tailpipe trim elements, the painted exterior mirror housings plus the waistline trim strips and window weather-strips.

- AMG exhaust system with two black chrome-plated twin tailpipe trim elements
- Exterior features in high-gloss black:
 - ✓ Underguard on the AMG front apron
 - ✓ Exterior mirror housing, painted
 - ✓ Inserts in the AMG side sill panels
 - ✓ Waistline trim strip and window weather-strips
 - ✓ Trim strip in the rear bumper



**50.8 CM (20-INCH) AMG 5-TWIN-SPOKE
LIGHT-ALLOY WHEELS**



MULTIBEAM LED

FOR YOUR PERFECT VISION

The adaptive MULTIBEAM LED headlamps has 84 individually controllable high-performance LEDs per MULTIBEAM LED module. Partial main beam omits other road users without dazzling them and the ULTRA RANGE Highbeam increases the range to the maximum permitted limit.

The cornering light and active light functions also illuminate the field of vision to optimum effect. The range of the ULTRA RANGE Highbeam light cone corresponds to the legally permitted maximum of 650 meters.



AMG SPOILER LIP

The AMG spoiler lip painted in vehicle colour is a bold statement of your pursuit of superior performance. This clearly visible aerodynamic feature reduces rear-axle lift, thus supporting neutral handling characteristics at high speeds in particular.





SLIDING SUNROOF

The sunroof opens at the touch of a button – and the automatic control allows you to decide exactly how far it should open.

In many situations the sliding sunroof anticipates and protects both you and your vehicle—if it starts to rain, the open sunroof receives a signal from the rain sensor to move to the tilted position automatically. This prevents water from entering into the interior. Even if you park your vehicle with the sunroof open, it automatically moves to the tilted position thanks to the anti-theft function. And if there is a risk of a rollover in a potentially dangerous situation, the sunroof can close automatically

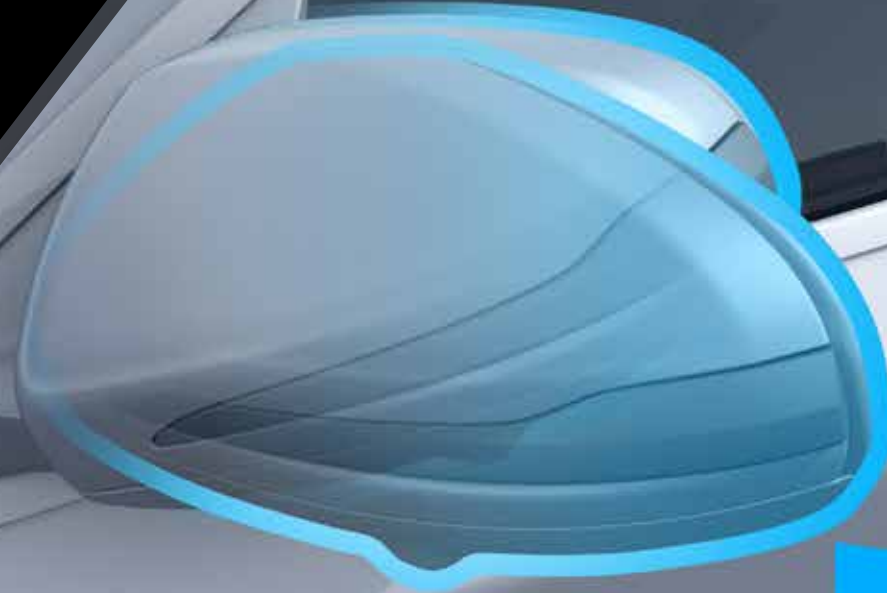
thanks to the PRE-SAFE® system. It also interrupts the closing procedure automatically if an obstruction is detected, moving the roof slightly to the rear again – for example to prevent a hand from being accidentally trapped.

Thanks to the KEYLESS-GO starting function, the sunroof can be operated from outside together with the side windows, to ventilate the interior before getting in on hot days. Conversely, you can also ensure that all windows are closed after leaving the vehicle. In both cases you simply use the "summer opening" and "convenience closing" functions of your electronic ignition key.

MIRROR PACKAGE

The Mirror Package combines a number of useful functions for day-to-day driving:

- Electrically folding outside mirrors (button in the control panel of the driver's door)
- Automatic tilting of the front passenger mirror glass to the parking position when reverse gear is selected
- Automatically dimming outside mirror on the driver's side and interior mirror
- Courtesy lighting of the outside mirror to illuminate the entrance area





UNDERGUARD

This equipment protects the entire underbody of your vehicle so that you are perfectly equipped for those spontaneous off-road excursions. In addition, the underguard shields the engine compartment, thus effectively reducing dirt.

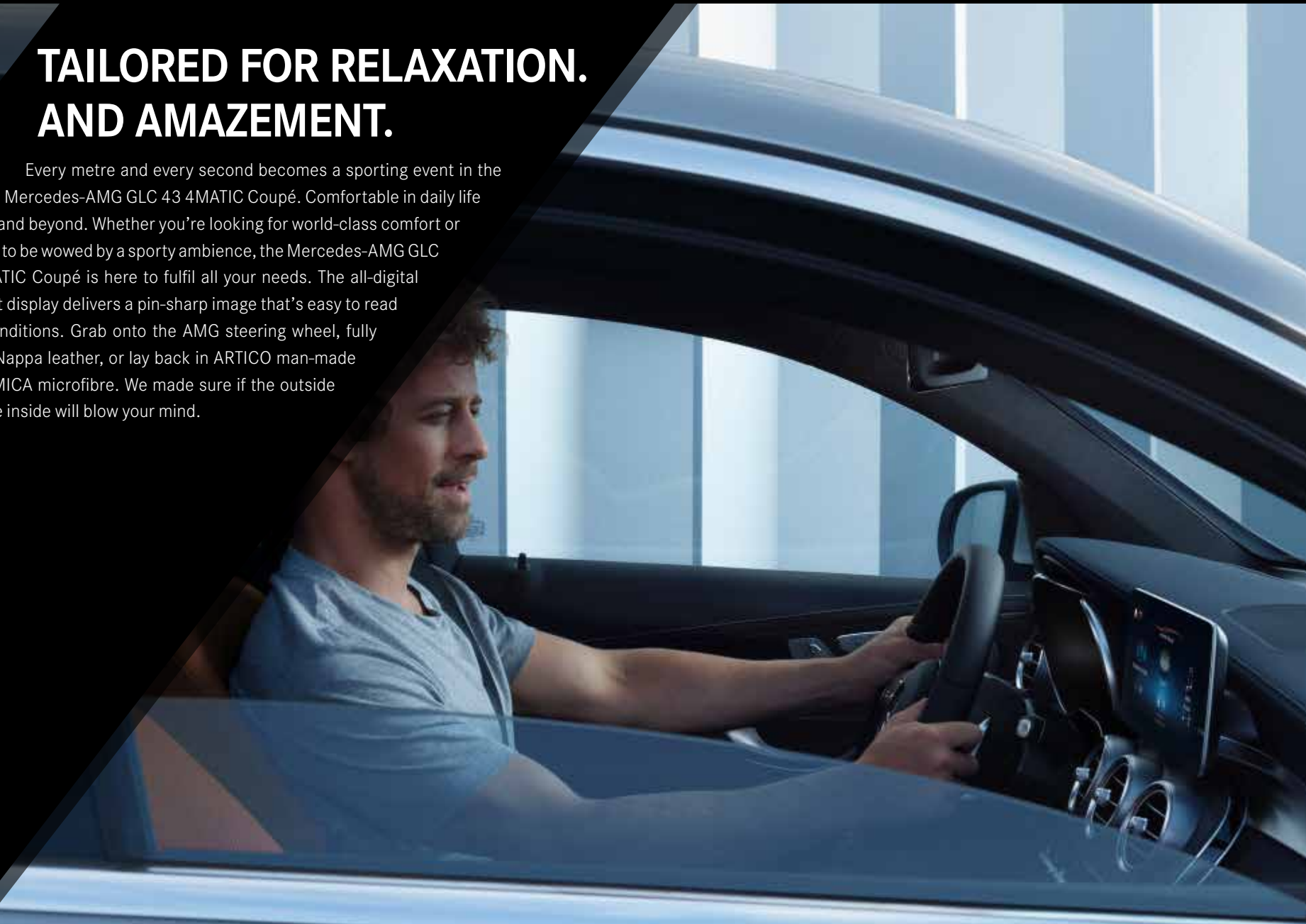
ALUMINIUM-LOOK RUNNING BOARDS WITH RUBBER STUDS

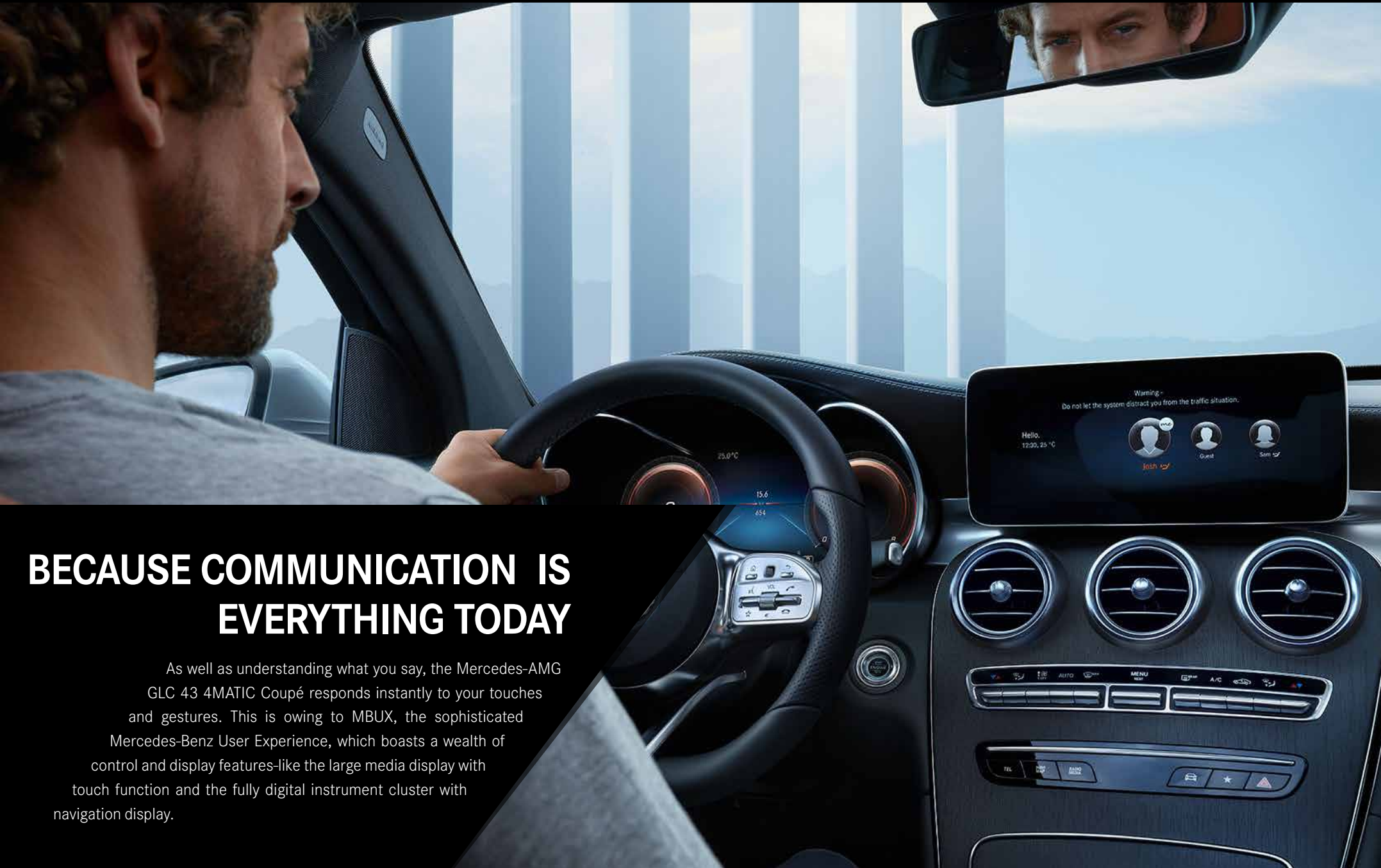
The aluminium-look running boards are a true eye-catching feature. They are mounted on the side at the height of the side skirts, thus making it easier to get into the front as well as the rear. Slip-resistant rubber studs ensure a firm foothold.



TAILORED FOR RELAXATION. AND AMAZEMENT.

Every metre and every second becomes a sporting event in the Mercedes-AMG GLC 43 4MATIC Coupé. Comfortable in daily life – and beyond. Whether you're looking for world-class comfort or want to be wowed by a sporty ambience, the Mercedes-AMG GLC 43 4MATIC Coupé is here to fulfil all your needs. The all-digital instrument display delivers a pin-sharp image that's easy to read in all light conditions. Grab onto the AMG steering wheel, fully finished in fine Nappa leather, or lay back in ARTICO man-made leather with DINAMICA microfibre. We made sure if the outside got your attention, the inside will blow your mind.





BECAUSE COMMUNICATION IS EVERYTHING TODAY

As well as understanding what you say, the Mercedes-AMG GLC 43 4MATIC Coupé responds instantly to your touches and gestures. This is owing to MBUX, the sophisticated Mercedes-Benz User Experience, which boasts a wealth of control and display features—like the large media display with touch function and the fully digital instrument cluster with navigation display.

'Hey Mercedes'

A whole new way of operating a car. Simple. Intuitive. With words and touch. This is MBUX – the new Mercedes-Benz User Experience. The highlights: new digital displays and touch control elements, a natural speech recognition system plus the ability to adapt itself better to you each day.



Say 'Hey' to the future with MBUX.

MBUX Touch Control Concept

So absorbing that it's hard to leave alone. The sophisticated MBUX touch control concept lets you determine exactly what it shows you and how you control it—As intuitively as on a smartphone. Either with the new touchpad with haptic feedback, or by using the Touch Control buttons on the new steering wheel, or on the touchscreen. The choice is yours.

MBUX Voice Control

It's always best to talk. The MBUX (Mercedes-Benz User Experience) infotainment system with intuitive voice control is available for the new Mercedes-AMG GLC 43 4MATIC Coupé. It understands what you say and obeys your commands using natural speech recognition. It takes only two words: "Hey Mercedes." And the new Mercedes-AMG GLC 43 4MATIC Coupé is all ears.

Media Display

The high-resolution media display with touch control plays your multimedia content in razor-sharp quality and with brilliant images. The design of the large display with its extensive glazing will also impress you. The display reacts directly to your touch inputs, as with your smartphone or tablet.

- 26 cm (10.25-inch) diagonal screen
- Resolution of 1920 x 720 pixels

Smartphone Integration

Fully contactless operation of your smartphone is possible in the new Mercedes-AMG GLC 43 4MATIC Coupé. Once it is connected via Bluetooth, NFC or USB cable, your numerous apps and functions appear on the media display, where you can control them conveniently using voice commands or touch controls.



MERCEDES-AMG INTERIOR

This interior opens up entry into the fascinating world of Mercedes-AMG. It is a perfect combination of first-class comfort and sporty ambience.

The potential of your Mercedes-AMG vehicle is clear at first sight – and it is immediately noticeable once you take your seat.

Key Highlights:

- Sporty 3-spoke AMG steering wheel in black Nappa leather, with flattened bottom section, perforations in the grip area, with Touch Control buttons and silver-coloured aluminium shift paddles, "12 o'clock" marking, steering wheel spokes and steering wheel trim in silver chrome with "AMG" lettering
- Air vents with outer tubes in Nürburg silver, vent surround, rotary knob and front face of the louvres in silver chrome
- Anthracite open-pore Oak Wood trim elements
- Roof liner in black fabric
- designo seat belts in red
- AMG pedals in brushed stainless steel with rubber studs
- AMG door sill panels
- Black floor mats with red piping and AMG lettering





AMG PERFORMANCE STEERING WHEEL IN BLACK NAPPA LEATHER

The AMG steering wheel is fully finished in fine Nappa leather and is perforated in the grip area. The hallmark AMG flattened shape has been adopted from motorsport and underlines the sportiness of the cockpit.

Ergonomically positioned Touch Control buttons ensure intuitive user-friendliness and are conducive to focussed driving.

Key Highlights:

- Sporty 3-spoke design with flattened bottom section and perforated grip area
- With 12-o'clock marking and topstitching in red
- Steering wheel spokes and bezel in silver chrome with "AMG" lettering
- Shift paddles allow manual gear changes and support a sporty driving style
- Touch Control buttons
 - Left: control of the instrument cluster, cruise control and limiter, plus Active Distance Assist DISTRONIC
 - Right: control of central multimedia system functions (e.g. audio volume and title selection, telephony and navigation)

ALL-DIGITAL INSTRUMENT CLUSTER DISPLAY

The 31.2 cm (12.3-inch) display delivers a pin-sharp image which is very easy to read in all light conditions.

The fully digital instrument display with the display styles "**Classic**", "**Progressive**" and "**Sporty**" enables you to decide which information is important to you and in which way you wish to have it displayed.

"**Comfort**" : The display of the information is oriented towards that of an analogue instrument cluster.

"**Progressive**" : Captures the imagination with a futuristic style.

"**Sporty**" : The displays feature yellow highlights and a sporty design.





ANTHRACITE OPEN-PORE OAK WOOD TRIM ELEMENTS

The trim lends your interior an individual look. It blends in harmoniously while also creating exciting contrasts. As such it reinforces and underscores the interior design. At the same time, the trim is a continually discernible sign of the quality of a meticulously finished premium product.

MEDIA DISPLAY

The high-resolution media display with touch control plays your multimedia content in razor-sharp quality and with brilliant images. The display reacts directly to your touch inputs, as with your smartphone or tablet.

- 26 cm (10.25-inch) diagonal screen
- Resolution of 1920 x 720 pixels



TOUCHPAD

Using the touchpad, you can operate the display of the infotainment system as you would a smartphone. Move or enlarge the content quite simply with single gestures. Each input is confirmed with haptic feedback. The touchpad recognises your handwriting should you wish to enter addresses or phone numbers.



BURMESTER® SURROUND SOUND SYSTEM

Experience more performance and exclusivity with the legendary Burmester sound. The 13 high-performance speakers develop a first-class surround sound. You can specifically optimise this for the front and rear seats to intensify the listening experience. A level of quality that is also visible, thanks to the high-quality Burmester lettering.

Key Highlights:

- 13 high-performance speakers
 - 1 tweeter each in the front and rear doors
 - 1 mid-range speaker each in the front and rear doors
 - 1 mid-range speaker on the dashboard as a centre speaker
 - 2 mid-range speakers in the D-pillar trim as surround speakers
 - 2 Frontbass speakers, one each in the driver and front passenger footwells
- 9-channel DSP amplifier with a total output of 590 watts (7 x 50 watts and 2 x 120 watts)
- Frontbass technology with subwoofers integrated into the body shell
- Vehicle noise compensation (VNC)
- Sound preset: surround function to generate virtual surround sound
- Sound optimisation for the front and rear seats
- Supports multichannel formats for true surround sound





ELECTRONICALLY ADJUSTABLE FRONT SEATS WITH MEMORY FUNCTION AND LUMBAR SUPPORT

With the incorporated memory function, the front passenger seat moves to the relevant position at the touch of a button. Up to 3 different seating profiles can be stored.

Comfortable and individual adjustment of the seating position and head restraint is made possible by the electrically 12-way adjustable front passenger seat – for pleasant journeys with a healthy posture.

The seats also get Electropneumatic 4-way lumbar support and lateral support adjustment. This allows the seat backrest to be precisely contoured to suit the natural curvature of your spine. The resulting ergonomic shape effectively relieves back strain, especially on longer journeys. Thanks to the adjustable seat side bolsters, you can determine precisely how intense the seat support should be.



HEATED FRONT SEATS

In cooler weather or as desired, seat heating quickly brings up the seat cushions and backrests to a pleasant temperature. Three levels of intensity can be selected.

ILLUMINATED AMG DOOR SILL PANELS

With the AMG door sill panels, you are making a sporty, exclusive statement. The door sill panels in brushed stainless steel impress with their white illuminated "AMG" lettering, and provide an enhancing touch each time you get in and out of the vehicle.

AMG FLOOR MATS

The elegant, black floor mats with AMG lettering blend harmoniously into the interior design, and effectively protect the footwells against soiling. When needed, you can remove, vacuum clean or wash the AMG floor mats quickly.



UPHOLSTERY & SEAT BELT

ARTICO man-made leather with DINAMICA microfibre in AMG Black with designo seat belts in red.



AMBIENT LIGHTING

Showcase the interior according to your personal preferences or current mood. With a total range of colours, the ambient lighting gives you almost unlimited scope for lighting schemes and brightness making the right colour available for any situation.

ROLLER SUNBLINDS IN REAR

The manual pull-out roller sunblinds protect against direct, bright sunlight in summer and when the sun is low in the sky. As a result the rear passengers are not dazzled and the interior heats up less. It's still possible to see out of the rear windows – for a pleasant and eventful journey.

HARD-DISC NAVIGATION

Save time through fast hard-disc navigation with flexible inputs via touch control or voice input. The 3D displays of points of interest are a visual delight.

The intelligent system guides you reliably to your destination using both local and up-to-date online data.

The high-quality 2D or 3D map displays recommend the ideal lane for your next driving manoeuvre. The system will first determine your desired route. This can be the fastest way or, one that helps you avoid tolls, for example. You enter the data as you wish – on the touchscreen, or using the touchpad, the touch control buttons or LINGUATRONIC. Say "Hey Mercedes, take me to..." and specify a desired location. And route guidance promptly starts. Always up-to-date*: online connectivity automatically updates map data via the mobile phone network.

Another special feature is "what3words". This innovative coordinates system determines every single point on earth with exactly three words.



*3 years of free map update form the date of initial registration



SMARTPHONE INTEGRATION

Smartphone Integration links the mobile phone with the media system via Apple CarPlay™ or Android Auto®. This gives you convenient access to the most important apps on your smartphone. For continuous devoted driving, the voice control is more than just an appealing feature. You can submit your requests via the voice assistant in the car.

Features:

- Display of selected third-party apps
- Access to latest software and data, e.g. for navigation, traffic information, contacts, messaging, telephony, media, IP radio
- User interface prepared and optimised for driving



INTERIOR LIGHT PACKAGE

MORE LIGHT, MORE ATMOSPHERE,
BETTER ORIENTATION

The Interior Light package provides more comprehensive direct and indirect illumination. The additional light sources create a pleasant atmosphere and make operation easier.

Key Highlights :

- Footwell lamps in the front
- LED lamp in the centre console stowage compartment
- Illuminated door handle recesses
- Illuminated vanity mirror
- Angle lamp in the front/rear doors

THERMATIC AUTOMATIC CLIMATE CONTROL

Individual climate comfort in the front seats comes courtesy of the THERMATIC automatic climate control with 2 climate zones: the driver and front passenger can set the temperature separately for each side.

THERMATIC with 2 climate zones provides additional advantages: the integral fine particulate activated charcoal filter works very efficiently and besides dust and soot particles also eliminates pollen, harmful substances and unpleasant odours. Thanks to dew point sensors and defrost vents, you can enjoy clear visibility irrespective of the weather conditions as they prevent the windows from misting up and additionally promote energy-efficient climate control.





KEYLESS-GO START FUNCTION

With the KEYLESS-GO start function, all it takes once you step inside the car is your key. Start your vehicle simply at the press of the turbine-like start/stop button.

WIRELESS CHARGING AND DOUBLE CUP HOLDER

Stowage compartment for wireless charging is located in the front oddments tray in the centre console. Wireless charging for compatible mobile phones according to the Qi standard.

With the double cup holder in the front section of the centre console you can safely deposit two bottles or mugs in it.



STOWAGE SPACE

The Stowage Space package has numerous stowage and securing facilities for the interior and load compartment. Useful stowage spaces ensure that everything has its place. Small and large items of luggage can be optimally secured in place.

It includes:

- Map pockets on the back of the front seats
- Net on the load compartment floor
- Collapsible crate
- 12 V socket in load compartment on left



EASY-PACK LOAD COMPARTMENT COVER

Protect your luggage from the sun and prying eyes: the EASY-PACK load compartment cover comprises of a retractable cover which is fitted behind the rear seats. You can remove this at any time and store it in the compartment provided beneath the load compartment floor.



EASY-PACK TAILGATE

The EASY-PACK tailgate can be opened and closed electrically and makes loading and unloading the boot even more convenient. You can start the opening and closing process very conveniently at the press of a button and interrupt it at any time by pressing the button again.

You can already press the button on your vehicle key from a distance so that the tailgate is open by the time you get to the vehicle. In addition there is also the classic option of using a switch in the driver's door or the release handle directly in the tailgate.

When the boot is open you can also conveniently reach the switch for closing the boot on the bottom edge of the tailgate.

So that you can also use the tailgate in low garages, the opening motion can be interrupted in any desired position and then stored at this height.

Mercedes me CONNECT

Mercedes me connect allows drivers to stay in touch with their vehicles from anywhere in the world and obtain assistance at the touch of a button when in car.

Let your personal digital assistant take the experience to an all new level in your everyday life.

- ✓ Stay informed about your Mercedes-AMG and everything associated with it. Tyre pressure: okay! Fuel tank: nearly full!
- ✓ Off to new places: You can directly send any type of destinations to your vehicle from your smartphone.
- ✓ Relax on the road. Calmly complete your first conference call during your journey as the navigation system plots the ideal route to your next meeting.

All-in-one service package: Get reminders and never miss a service appointment, conveniently book your service appointment online.

Please note that certain services are offered free of cost for a period of three (03) years and may be chargeable at the expiry of three (03) years from the date of activation of such services. If you wish to continue using those services, you may renew the same through Mercedes Me Store (as and when it is available). Please get in touch with your preferred Franchise Partner for more details.



VEHICLE MONITORING

Parked Vehicle Locator: Unfamiliar city, winding streets – where was it you parked? Your smartphone knows the answer. It can locate your parked vehicle within a radius of 1.5 kilometres and show you on a map how to make your way back to the vehicle.

Vehicle Tracker: Perhaps a family member is driving your car and you wish to know its current whereabouts. The app knows the answer. For this purpose, your vehicle's geo-coordinates are sent by GPS.

Speed Alert: Receive an alert if our vehicle exceeds a certain speed. The notification is sent directly to your smartphone by an app. This is where you can set the desired threshold value (from 0 to 255 km/h), and obtain a list showing when and where the speed was exceeded. This allows you to stay informed when someone else is using your vehicle.

Please note that certain services are offered free of cost for a period of three (03) years and may be chargeable at the expiry of three (03) years from the date of activation of such services. If you wish to continue using those services, you may renew the same through Mercedes Me Store (as and when it is available). Please get in touch with your preferred Franchise Partner for more details.



VEHICLE SET-UP

Remote Retrieval of Vehicle Status: You have easy access at all times to the most important information about your vehicle – available from the Mercedes me App or the Mercedes me Portal. These include mileage, tyre pressure, washer fluid level, fuel tank level and also when the next service is due.

Remote Door Locking and Unlocking: We've all done it: You park and leave your vehicle for a little while and then suddenly can't remember whether you locked the doors or not. With the Mercedes me App or from the Mercedes me Portal, you always have certainty – and can lock the doors later if needs be.

And if you ever lock yourself out, if your passengers are already waiting next to the car or if a friend needs to go back and fetch something from inside the vehicle, you can unlock the doors remotely. In this case, you receive a corresponding acknowledgement on your smartphone.

Send2Car function: Your smartphone and car are more connected than ever before. Found a place of interest or the best restaurant in town? You can easily send the address to your vehicle via an app. You just need to confirm the import and the data will be integrated into your navigation system.

Please note that certain services are offered free of cost for a period of three (03) years and may be chargeable at the expiry of three (03) years from the date of activation of such services. If you wish to continue using those services, you may renew the same through Mercedes Me Store (as and when it is available). Please get in touch with your preferred Franchise Partner for more details.





NAVIGATION CONNECTIVITY PACKAGE

In combination with the standard-fit communication module (LTE) and the 3D Hard-Disc Navigation makes sure that you always reach your destination as quickly as possible by the best route.

Enhanced Navigation Services can even provide you with predictive information. You are provided with optimised travel destinations and your vehicle can answer questions about your journey, such as current filling petrol station prices along the route or the parking situation at your destination.

MERCEDES-BENZ EMERGENCY CALL SYSTEM

The Mercedes-Benz emergency call system can save you vital minutes in an emergency. If an accident is detected, a communications module with its own SIM card automatically triggers an emergency call which can shorten the time until the rescue services arrive. In the case of a connection with the Mercedes-Benz emergency contact centre, a member of staff will support you over the voice connection until the rescue services arrive.

Please note that certain services are offered free of cost for a period of three (03) years and may be chargeable at the expiry of three (03) years from the date of activation of such services. If you wish to continue using those services, you may renew the same through Mercedes Me Store (as and when it is available). Please get in touch with your preferred Franchise Partner for more details.

ADAPTIVE HIGHBEAM ASSIST PLUS

Drive with permanent main beam. This virtually turns night into day and takes the strain out of driving.

See far, don't dazzle – the Adaptive Highbeam Assist Plus works according to this motto. The intelligent system masks out oncoming traffic or vehicles in front with highly precise LEDs, so you don't have to keep on changing over to dipped-beam headlamps.

AUTO



ADAPTIVE LIGHTS

During emergency braking, flashing brake lights can help to reduce the reaction time of the driver behind significantly. Adaptive LED brake lights therefore make an important contribution to the avoidance of rear-end collisions.

- Flashing red warning signal when emergency braking is recognized
- Can help to reduce the reaction time of the driver behind significantly



PRE-SAFE® SYSTEM

The PRE-SAFE® system makes use of the time prior to an impending accident on your behalf and is able to reduce the stress and strain you may be exposed to.

What it does :

- ✓ The Preventive tensioning of the seat belts of the driver and front passenger by electromotive means (reversible)
- ✓ Closes open side windows and/or the open panoramic sliding sunroof, leaving just a small gap, in the event of detecting a rollover except for a small gap.
- ✓ Moves the front passenger seat into a more favourable position for the possible impact
- ✓ If an accident has been prevented, the reversible protective measures are cancelled when the vehicle returns to a calm and controlled operating status
- ✓ The innovative PRE-SAFE® Sound also generates a noise from the speakers which triggers a natural protective reflex: this protects the inner ear by damping the accident noise.



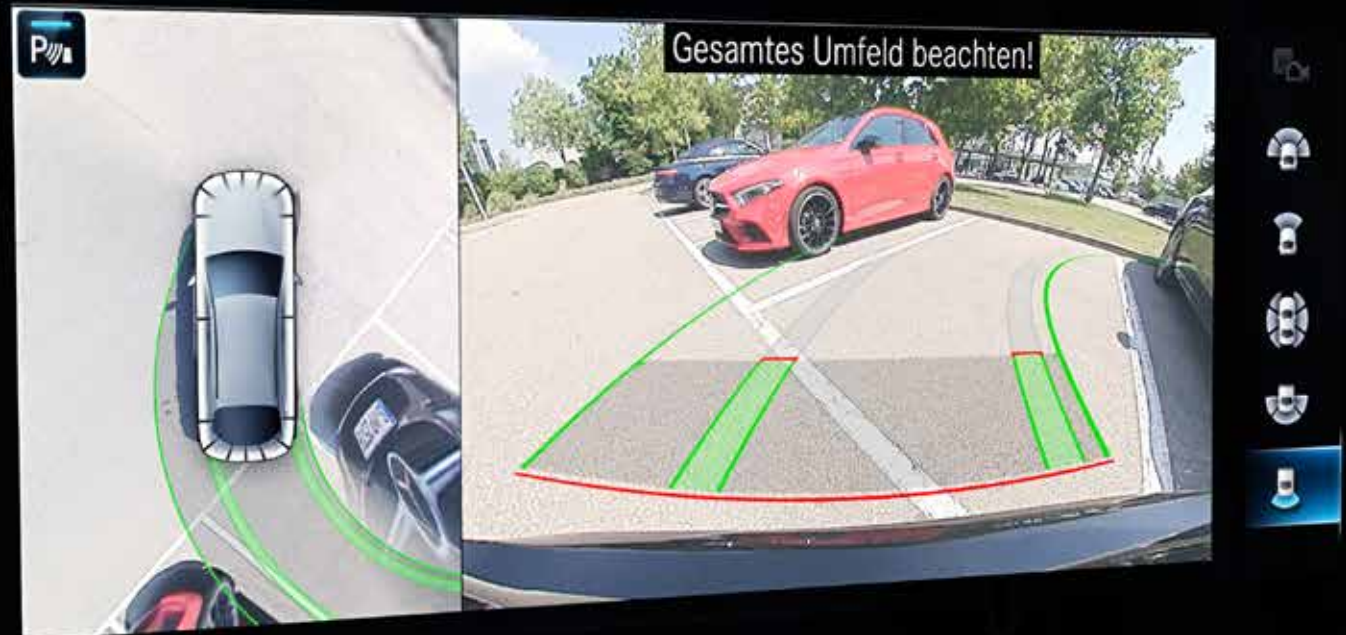
PARKING PACKAGE WITH 360-DEGREE CAMERA

Manoeuvre effortlessly, park precisely, thanks to all-round visibility. Networking of all camera angles additionally enables a virtual bird's-eye view to be displayed.

Key Highlights:

- 360° camera
- 12 ultrasonic sensors
- Parking Assist PARKTRONIC : Visual and audible warning of detected obstacles based on distance and position

Park-Assistent aktiv, bremsbereit bleiben!





ACTIVE BONNET

The active bonnet system minimizes pedestrian injuries by lifting the rear edge of the hood when you are involved in an accident. Raising the hood creates additional space that can serve as a cushion between the hood and the engine improving pedestrian protection.

KNEEBAG

The kneebag protects the legs from contact with the steering column or the dashboard in a severe frontal crash. This can prevent or lessen the severity of injuries.

AUTOMATIC FRONT PASSENGER AIRBAG DEACTIVATION

The system deactivates the front passenger airbag automatically when it detects a rear-facing child seat or registers that the front passenger seat is unoccupied. A transponder in the child seat is not required. If the system detects that an adult is occupying the seat, the airbag is automatically activated and the risk of incorrect operation reduced.

200

200

220



TYRE PRESSURE MONITORING SYSTEM

The system monitors the tyre pressure for you and provides you with a warning in the event of a drop in pressure. This way you can react more quickly to these hazardous situations. When the control systems notifies you, you should top up the air quickly. Correct tyre pressure additionally increases tyre life.

WINDSCREEN WIPERS WITH RAIN SENSOR

The rain sensor is fitted behind the inside rear-view mirror on the inside of the windscreen. The associated electronics control the windscreen wipers precisely in line with the current amount of rain: from a single wipe through to continuous wiping. The measurement area is heated so that there is no disruption due to any condensation build up.

PAINTWORK



Obsidian Black



Brilliant Blue



Graphite Grey



Polar White



designo Hyacinth Red



Cavansite Blue

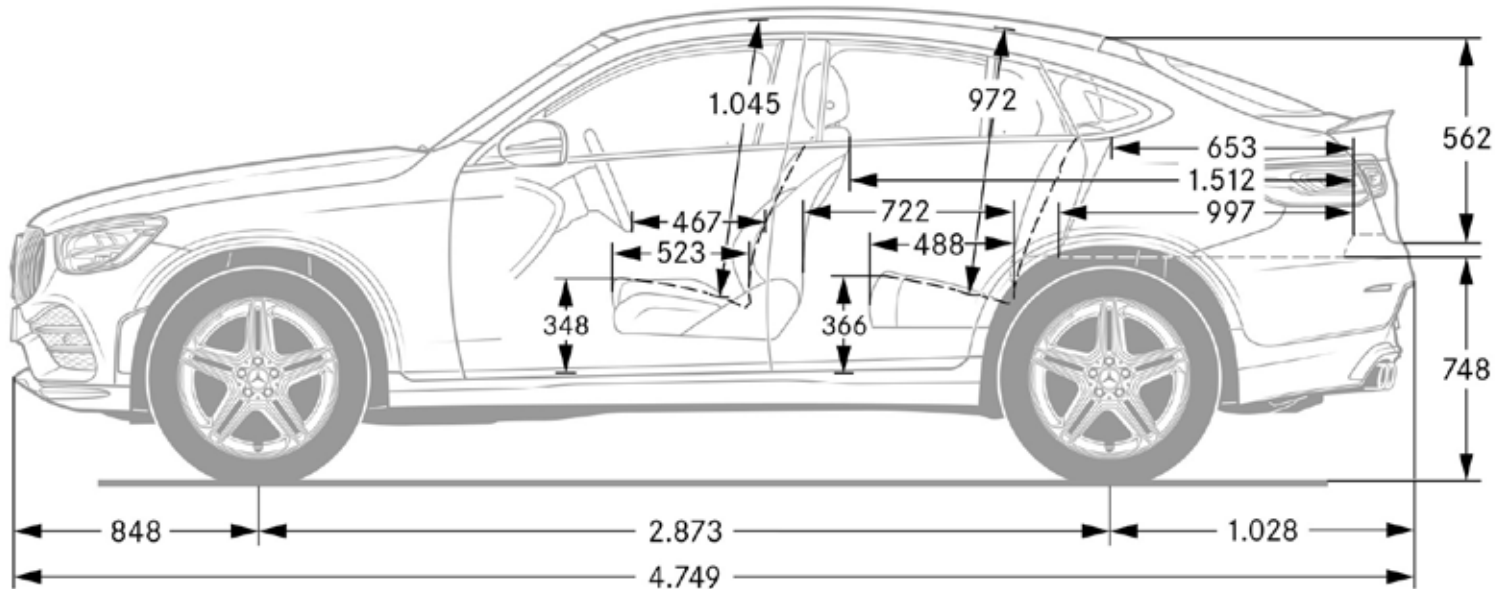
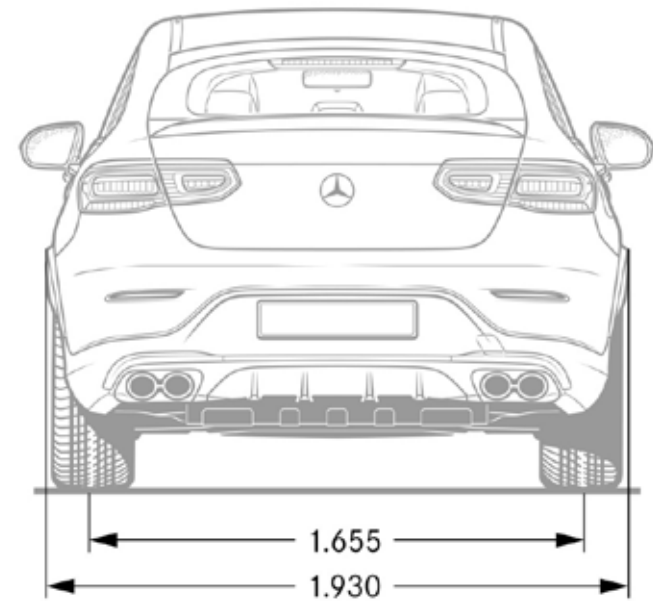
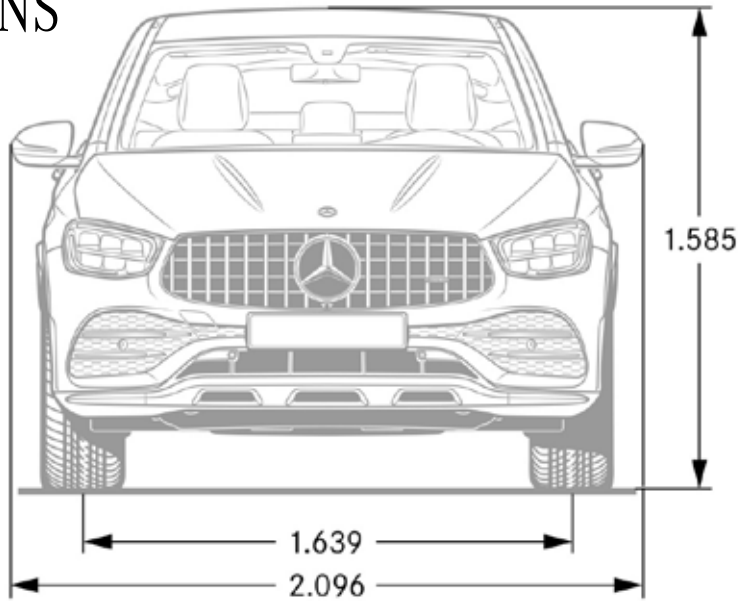


Selenite Grey V



Spectral Blue

DIMENSIONS



TECHNICAL DATA

	Mercedes-AMG GLC 43 4MATIC Coupé
Total displacement (cc)	2996
No./arrangement of cylinders	V6
Rated output in kW (HP) @ rpm	287 [390] @ 5500 - 6100
Rated torque (Nm @ rpm)	520 @ 2500 - 5000
Transmission	AMG SPEEDSHIFT TCT 9G
Acceleration from 0-100 km/h (sec)	4.9
Top speed approx (km/h)	250
Vehicle Gross Weight (kg)	2460
L x W (ORVM) x H (mm)	4749 x 2096 x 1585



Genuine Accessories

Make your Mercedes-AMG GLC 43 4MATIC Coupé even more promising with the Genuine Accessories. Additional charges apply.

MERCEDES-AMG ROOF BOX, COUPÉ

The innovative, aerodynamically developed design of the Mercedes-AMG roof box combines sportiness and exclusivity. The two-colour finish and the fin in the cover creates an interesting interplay of light and shadow, emphasizing the expressiveness of the AMG design. With the design of the Mercedes-AMG roof box in two diffuser models, results in terms of aerodynamics, driving characteristics and background noise are attained.

AMG SUV-COUPE DASHCAM PACKAGE

With the dual-channel camera system, the DashCam records critical driving situations. With its innovative radar technology, efficient parking monitoring can be executed as it scans the area in the immediate vicinity of the vehicle to record relevant events. High resolution and light sensitivity ensures high video quality during the day and night. The built-in acceleration sensor likewise detects vehicle vibrations. Additional settings can also be configured via the web interface or associated apps. Offers a 32 GB Memory Card.

LED PROJECTORS, AMG EMBLEM

A fascinating presence: on opening the driver or front-passenger door, innovative LED projectors project the AMG emblem with 3D effect onto the ground in the entrance area. This indeed appeals to your emotions. This not only showcases an attractive eye-catching feature in dark surroundings but also makes it more convenient for you when getting in and out.



COOLBOX

Whether you are taking cold drinks, a picnic or baby food with you, the multifunctional coolbox cools or warms according to your needs, making it the perfect accessory for any outing. Thanks to the extra-effective insulation, it cools to as low as -2°C . The portable coolbox is a rigid box with a fabric cover, featuring zipped and open pockets.



TRAVEL AND STYLE COAT HANGER

The coat hanger – for crease-free clothes when you're on the move. It's easy to arrive looking smart: the sturdy coat hanger allows you to hang up items of clothing on board. Rounded ends protect the fabric. Direct adapter makes it easy to secure hanger in place.

FOLDING TABLE, STYLE & TRAVEL EQUIPMENT

A practical place to put snacks and drinks during the journey. The folding table with direct adapter features a cup holder insert.



BICYCLE RACK

The epitome of easy cycle transport: New Alustyle bicycle rack. Suitable for different cycle types, e.g. road bikes or trekking bikes. Fully pre-assembled and ready to use. Extremely lightweight as a result of aluminum/steel construction.

New and ingeniously convenient: Bicycles can be attached at ground level before the rack is fitted. Up to three bicycle racks can be fitted.

ALL-SEASON FLOOR MATS

The mats are precision-tailored for your Mercedes-Benz. These can be clip-fastened to the floor of the AMG to prevent slipping. The Floor mats undergo rigorous testing before they are deemed worthy of the star logo: durability, fade-resistant and a neutral odor, even after three winters of use, are all specifications - met without compromise

Alloys

All wheels are precision-tailored to your vehicle in terms of load profile and dimensions.

AMG CROSS-SPOKE WHEEL, 50.8 CM (20 INCH), HIGH-SHEEN

AMG cross-spoke wheel, 50.8 cm (20 inch),
high-sheen, 8.5 J x 20 ET 40, **Titanium Grey**.



5-TWIN-SPOKE WHEEL, 50.8 CM (20 INCH), HIGH-SHEEN

AMG multi-spoke wheel, 50.8 cm (20 inch),
high-sheen, 8.5 J x 20 ET 40, **Black**.



AMG MULTI-SPOKE WHEEL, 50.8 CM (20 INCH), HIGH-SHEEN

AMG multi-spoke wheel, 50.8 cm (20 inch),
high-sheen, 9.5 J x 20 ET 22, **Titanium Grey**.



Mercedes-Benz India Private Limited: E-3, MIDC Chakan - Phase III, Chakan Industrial Area, Kuruli & Nighoje, Tal: Khed, Pune - 410 501 (India)
Toll free No.: 0008000501888. **e-mail:** cs.ind@cac.mercedes-benz.com, **website:** www.mercedes-benz.co.in

Please note: This brochure is intended for general information, description and illustration of the Product including optional functions and equipment and may not be specific to a Product since specification of a product may change from time to time. Optional features, functions and equipment etc. may not be present in the Standard or Variant Product or Special Edition Product. Further, Standard specifications of a product may also vary from time to time. Colours may differ from those shown in pictures in the brochure. Mercedes-Benz India reserves the right to make changes without prior notice, in design, colours, materials, components, equipment, specifications, features, functions, make and models etc. The information given in this brochure shall be regarded as accurate at the time of launch and may vary thereafter due to any developments or any other reason. Interested customers should reach out to the Authorised Franchise Partner for further information on the exact specifications, features of the product.

Images shown are for representation purposes only. Some of the vehicles in the Brochure are left hand drive wheel. However, Mercedes-Benz India only manufactures and sells vehicles as per the applicable motor vehicle regulations in India. All vehicles sold by Mercedes-Benz Authorized Franchise Partners shall be with right hand drive wheels only.

All title, ownership rights and intellectual property rights in and relating to this brochure/magazine or publication material or any copies thereof including but not limited to copyright, logos, names, trademarks, service marks, design, text, images, links, concepts and themes are owned by Mercedes-Benz Group AG and/or its subsidiaries collectively or used under authorised license by the Mercedes-Benz Group AG. Any reproduction, transmission, publication, performance, broadcast, alteration, license, creation of derivative works or other use in whole or in part in any manner without the prior written consent of Mercedes-Benz India Pvt. Ltd is strictly prohibited.

Please note that certain services are offered free of cost for a period of three (03) years and may be chargeable at the expiry of three (03) years from the date of activation of such services. If you wish to continue using those services, you may renew the same through Mercedes Me Store (as and when it is available). Please get in touch with your preferred Franchise Partner for more details.

Mercedes-Benz cars: The Mercedes-AMG GLC 43 4MATIC Coupé Facelift meets Bharat Stage VI equivalent emission norms.

CIN - U34102PN1994PTC083160