

1971 MERCURY STATION WAGONS

MARQUIS · METEOR · MONTEGO



Colony Park and Marquis

Take the best wagon ideas, like Dual-Action tailgate (swings wide like a door with window up or down for passengers, down like a tailgate for cargo). Add a fine-car ride and luxury car looks. Put them together and you've got better station wagons . . . Mercury station wagons for '71! A beautiful example: the 1971 Colony Park —

yacht-deck paneling on sides and tailgate, bright highlights on body sides and tailgate, luggage carrier and deluxe wheel covers all designed to gain admiring looks. If you prefer an all-steel body with the same fine-ride and high level of luxury as Colony Park, make Marquis your choice.

Colony Park and Marquis standard equipment includes:

- 400-2V V-8 engine
- Select-Shift automatic transmission
- Dual-Action tailgate
- Power steering
- Power brakes
- Power rear window
- Self-storing second seat
- Concealed windshield wipers
- All-vinyl interior
- Bench seats
- Nylon-loop carpeting
- Cargo light
- Steel guard rails in doors
- H78 x 15 BSW belted tires
- 70 ampere hour battery
- Power Ventilation

COLONY PARK AND MARQUIS SPECIFICATIONS

Engines:	Dis- place- ment	Horse- power @ RPM	Torque (lbs.-ft.) @ RPM	Com- pression Ratio	Carbu- retor	Fuel	Exhaust	Bat- tery (Amp. hr.)
400-2V V-8 (Std.)	400 CID	260 (@ 4400)	400 (@ 2200)	9.0:1	2- barrel	Regular*	Single	70
429-2V (Opt.)	429 cu. in.	320 (@ 4400)	460 (@ 2200)	10.5:1	2- barrel	Pre- mium	Single	80
429-4V (Opt.)	429 cu. in.	360 (@ 4600)	480 (@ 2800)	10.5:1	4- barrel	Pre- mium	Single	80

*91 octane regular gasoline can be used.

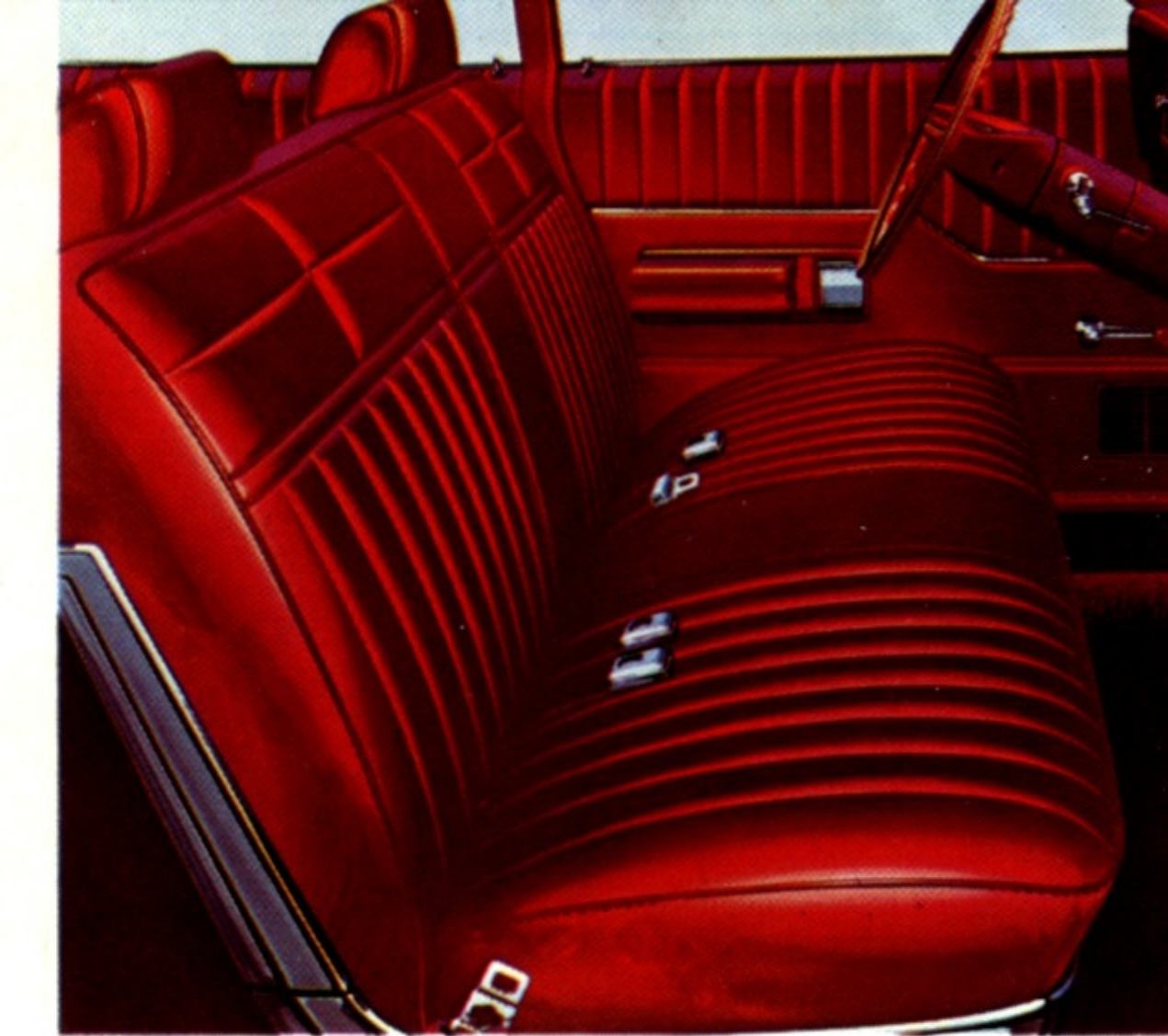
TRANSMISSIONS: Select-Shift automatic transmission standard BRAKES: Dual hydraulic system with warning light. Power brakes (disc front, drum rear) STEERING: Power steering standard TIRES: H78 x 15 belted black sidewall tires standard.

DIMENSIONS

Wheelbase	121.0"	Tread—front/rear	63.3" 64.3"
Overall Length	220.5"	Total Cargo Volume (cu. ft.)	105.3
Overall Width	79.4"	Fuel Tank Capacity (Imp.gals.)	18.3



Marquis Station Wagon



Marquis standard vinyl interior.

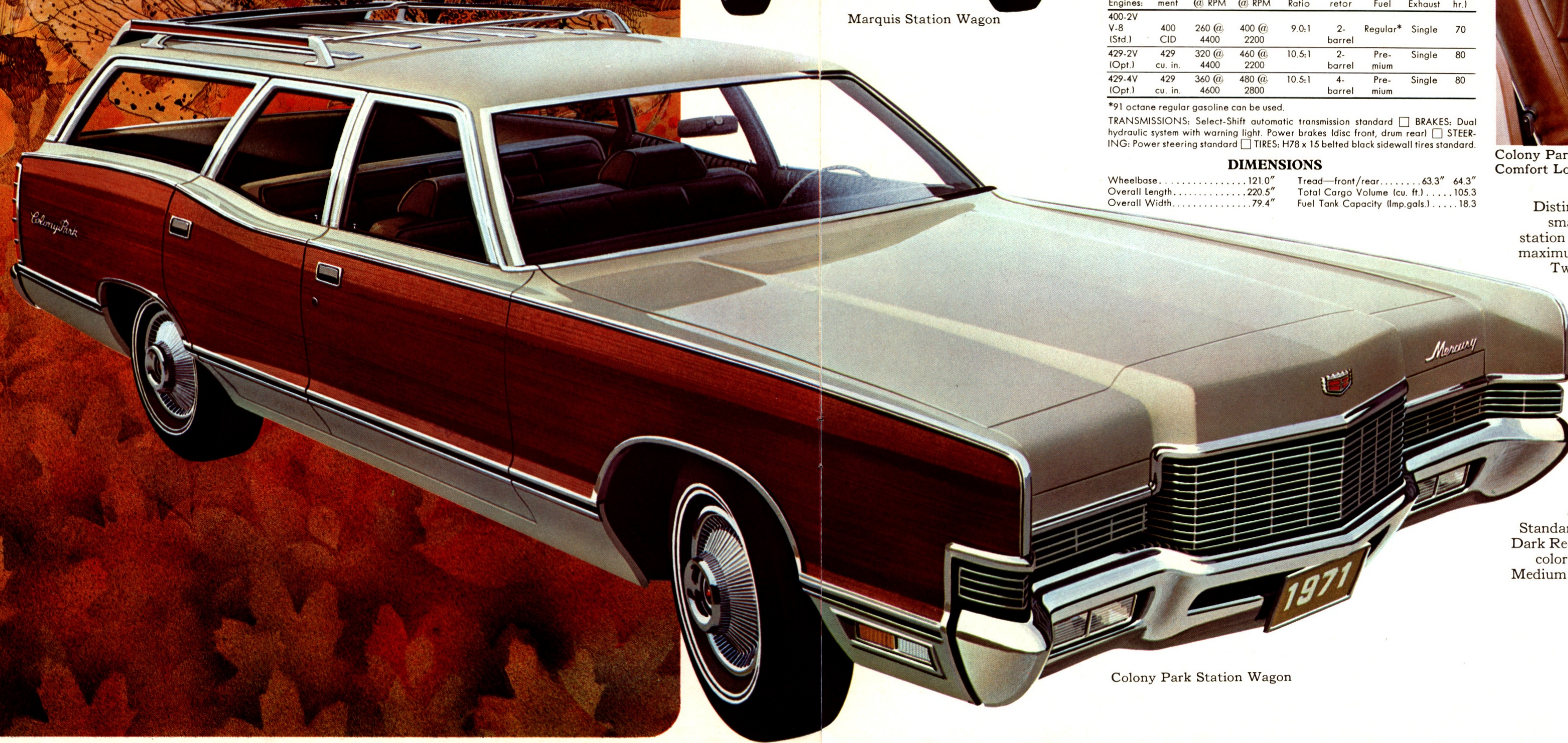


Colony Park vinyl interior with optional Twin Comfort Lounge Seats.

Distinctive, luxurious interiors add to the smartness of Colony Park and Marquis station wagons. Deep foam padding assures maximum seating comfort. For the optional Twin Comfort Lounge Seats, a six-way power adjustment is available for driver seat or both seats. A passenger reclining seat is also optional.

Optional Twin Comfort Lounge Seats, individually adjustable with front center armrest may be ordered for Colony Park. Shown directly above in Medium Ginger; also available in Black, Medium Blue, Dark Red and Medium Green. Bench seats in all-vinyl with luxury door panels are standard. Available in the same color choices.

Standard Marquis bench seat in rich, supple Dark Red vinyl shown in upper picture. Other colors available are Black, Medium Blue, Medium Ginger and Medium Green.



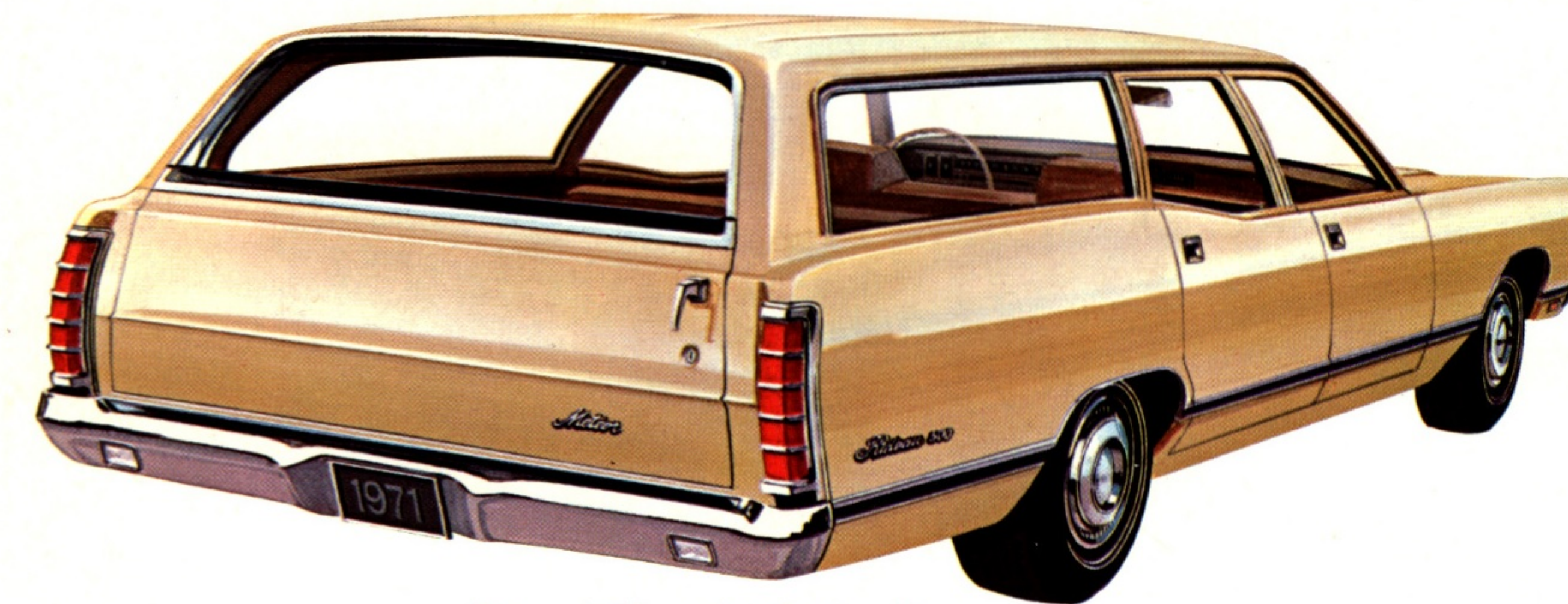
Colony Park Station Wagon

Meteor Montcalm and Rideau 500

Take the ride, the elegance and the interior comfort of a Meteor. Give it 96.2 cubic feet of cargo area and a Dual-Action tailgate which swings wide like a door with window up or down, and down like a tailgate for cargo and you've got the best station wagon value in this class. More than 18 feet of smooth riding, hard-working luxury on a 121 inch wheelbase. With a responsive 351 cubic inch V-8 as the standard engine. A power-operated rear window is available

and also a new tailgate window-washing device . . . it washes and wipes in an operation controlled from the driver's seat. You can have the cargo area carpeted combined with a lockable storage compartment too, if you like. A set of dual-facing rear seats is available. And, to top it all off, an optional roof-mounted luggage rack with or without an integral air deflector. Make your choice from two superb wagons: Meteor Montcalm and Meteor Rideau 500.

- Meteor Montcalm and Rideau 500 Wagon standard equipment includes:**
- 351 CID 2V V-8 engine
 - Three Speed fully synchronized manual transmission
 - Dual-Action tailgate
 - Concealed windshield wipers
 - 45 ampere hour battery
 - H78 x 15 BSW belted tires
 - High-level power ventilation
 - Steel Guard Rails in door
 - Fuel evaporative emission system
 - Bench seats
 - All-vinyl interior
 - Nylon-loop carpeting



Meteor Rideau 500 Station Wagon



Inside Meteor wagons, you ride in the comfort of deep foam-padded seats with all-vinyl trim. Dual-facing rear seats are available as an option in both wagons.



Meteor Montcalm Station Wagon

'71 METEOR STATION WAGON SPECIFICATIONS

Engines:	Dis- place- ment (CID)	Horse- power (@ RPM)	Torque (lbs.-ft.) (@ RPM)	Com- pression Ratio	Carbu- retor	Fuel	Exhaust	Bat- tery (Amp. hr.)
351-2V Std.	351 CID	240 @ 4600	350 @ 2600	9.0:1	2- barrel	*Regu- lar	Single	45
400-2V Opt.	400 CID	260 @ 4400	400 @ 2200	9.0:1	2- barrel	*Regu- lar	Single	70
429-2V Opt.	429 CID	320 @ 4400	460 @ 2200	10.5:1	2- barrel	Pre- mium	Single	80
429-4V Opt.	429 CID	360 @ 4600	480 @ 2800	10.5:1	4- barrel	Pre- mium	Single	80

*91 Octane regular gasoline can be used.
TRANSMISSIONS: 3 speed manual is standard. Select-Shift automatic transmission is optional. (Select-Shift automatic transmission is required with 400 CID 2V-V8 or larger engines) BRAKES: Dual hydraulic system with warning light. Power Brakes (disc front—drum rear) (Power Brakes required with 400 CID 2V-V8 or larger engine) POWER STEERING: Required with 400 CID 2V-V8 or larger engine with air conditioning and/or optional alternator TIRES: H78 x 15 belted black sidewall tires standard with all engines.

DIMENSIONS

Wheelbase.....	121.0"	Tread front... rear.....	63.3" 64.3"
Overall Length.....	220.5"	Total Cargo Volume (cu. ft.).....	105.3
Overall Width.....	79.4"	Fuel Tank Capacity (Imp. gals.).....	18.3

Montego MX Villager and Montego MX

Montego station wagons combine big-car ride and small-car handling with excellent roominess for passengers and gear. Add a Dual-Action tailgate, 3-speed manual transmission, all-vinyl interior available in Black, Medium Blue, Vermillion, Medium Ginger and Medium Green, 100% nylon carpeting, concealed windshield wipers and you've got a beautiful wagon for the price of an ordinary one.

Montego MX Villager and Montego MX standard equipment includes:

- 250-1V "6" engine 3-speed manual

- transmission Dual-Action tailgate
- Concealed windshield wipers Bench seats
- All-vinyl interior Locking steering column
- Reversible key and keyless locking system
- Color-keyed, nylon carpeting G78x14 BSW belted tires 45 ampere hour battery

Unique Montego MX Villager standard equipment includes:

- Yacht deck paneling on sides and tailgate
- Standard roof luggage carrier Deluxe-level vinyl interior with deluxe door trim panels Deluxe wheel covers.



Montego MX Station Wagon



Montego MX Villager all-vinyl standard interior.



Montego MX all-vinyl standard interior.



Montego MX Villager Station Wagon

MONTEGO MX VILLAGER AND MONTEGO MX SPECIFICATIONS

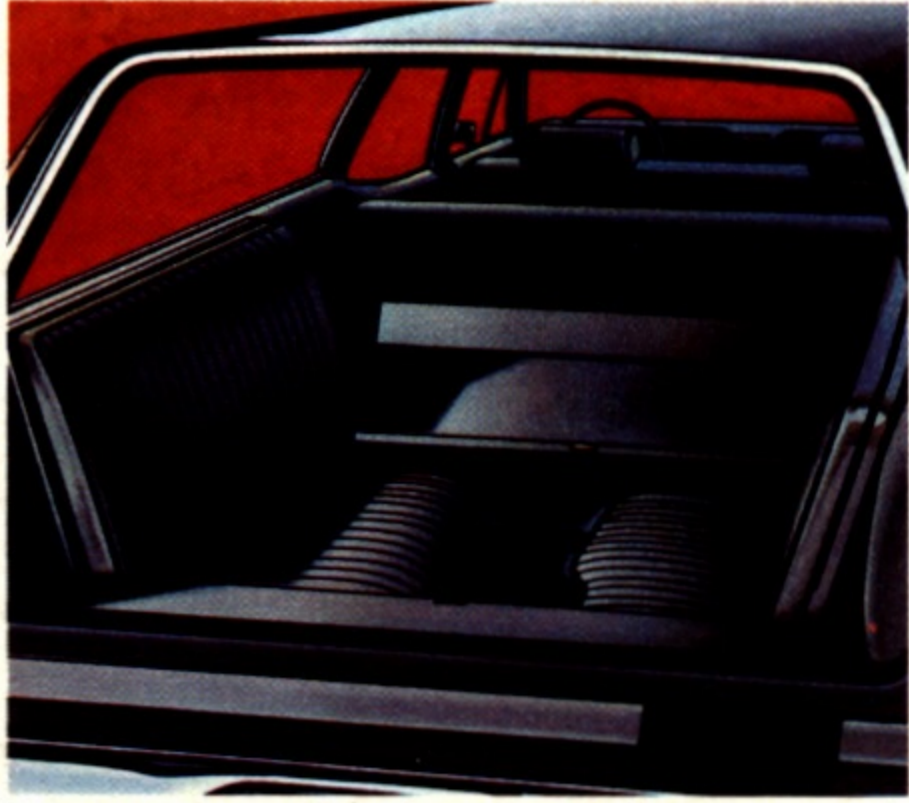
Engines:	Dis- place- ment	Horse- power (@ RPM)	Torque (lbs.-ft.) (@ RPM)	Com- pres- sion Ratio	Carbu- retor	Fuel	Exhaust	Bat- tery (Amp. hr.)
250-1V "6" (Std.)	250 cu. in.	145 @ 4000	232 @ 1600	9.0:1	1- barrel	Regular*	Single	45
302-2V V-8 (Opt.)	302 cu. in.	210 @ 4600	296 @ 2600	9.0:1	2- barrel	Regular*	Single	45
351-2V V-8 (Opt.)	351 cu. in.	240 @ 4600	350 @ 2600	9.0:1	2- barrel	Regular*	Single	55
351-4V V-8 (Opt.)	351 cu. in.	285 @ 5400	370 @ 3400	10.7:1	4- barrel	Pre- mium	Dual	55

*91 octane regular gasoline can be used.
TRANSMISSIONS: 3-speed manual standard all models. Select-Shift automatic transmission optional all models required with 351-4V engine. BRAKES: Dual hydraulic system with warning light. Power brakes (disc front, drum rear) optional all models STEERING: Power steering optional all models. Required with air conditioning TIRES: G78x14 belted black sidewall tires standard.

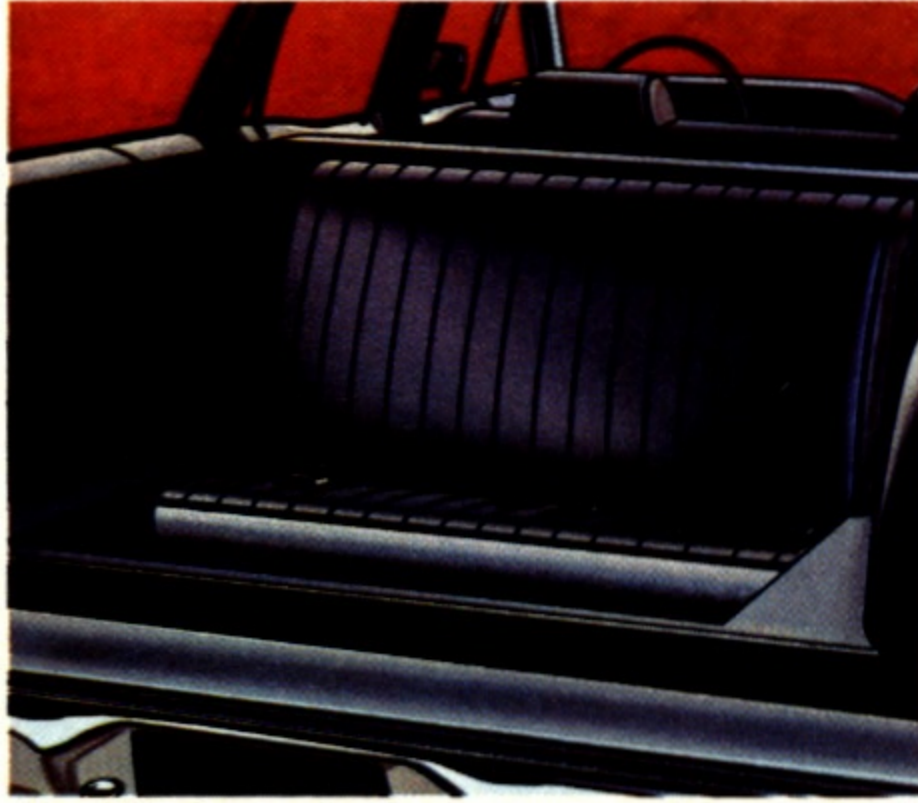
DIMENSIONS

Wheelbase.....	114.0"	Tread—front/rear.....	60.5" 60.0"
Overall Length.....	211.8"	Total Cargo Volume (cu. ft.).....	92.8
Overall Width.....	75.4"	Fuel Tank Capacity (Imp. gals.).....	15.0

DUAL-ACTION TAILGATE: STANDARD ON MERCURY WAGONS FOR '71



Step up to optional center-facing rear seats for Colony Park, Marquis and Meteor. They make your Mercury wagon roomy enough for eight; entry is made easy by a step pad in bumper.



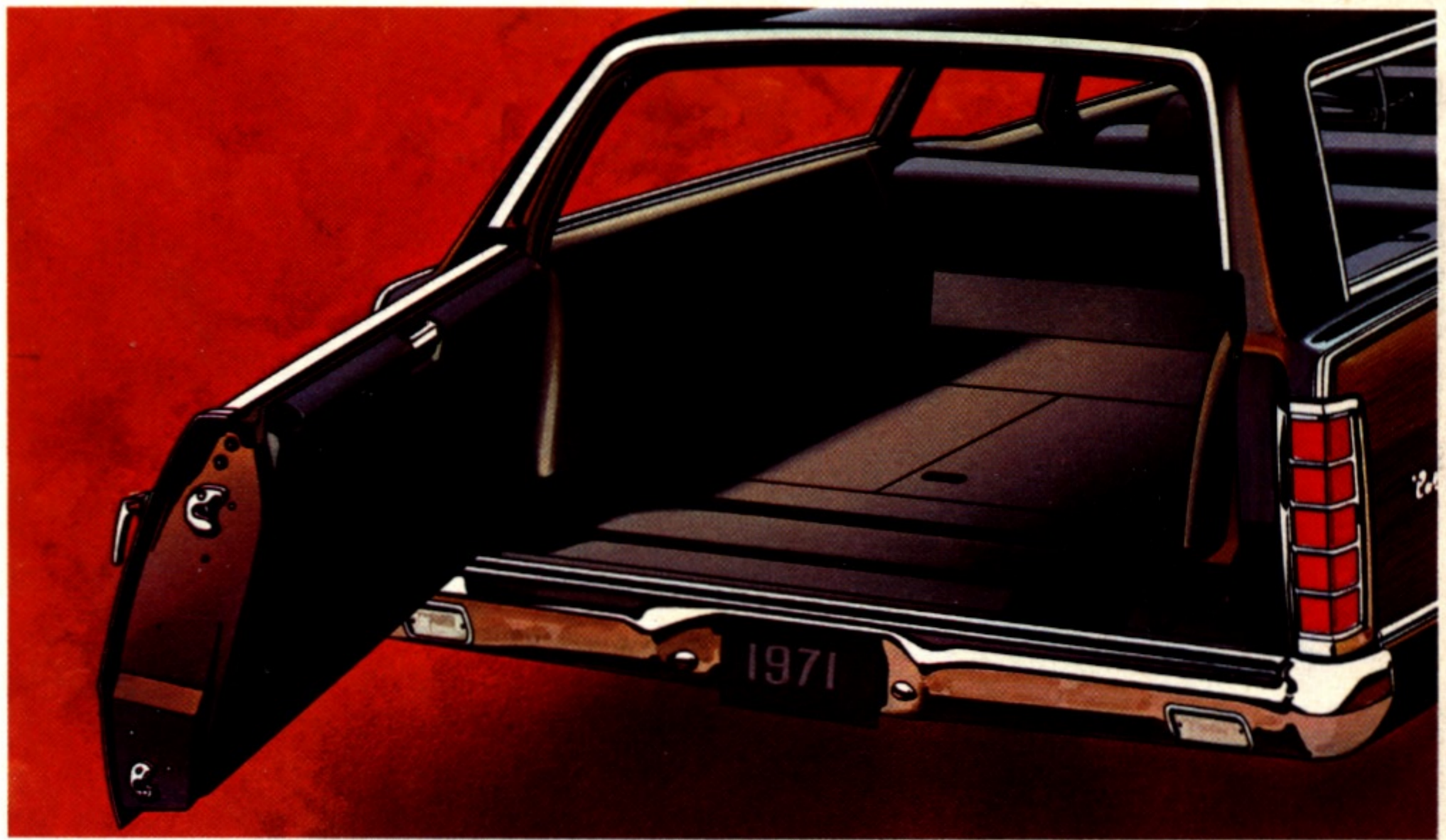
In Montego station wagons, the optional rear-facing third seat provides room for two full-size people (or three children), and the fun of an "observation car" view for rear seat passengers.



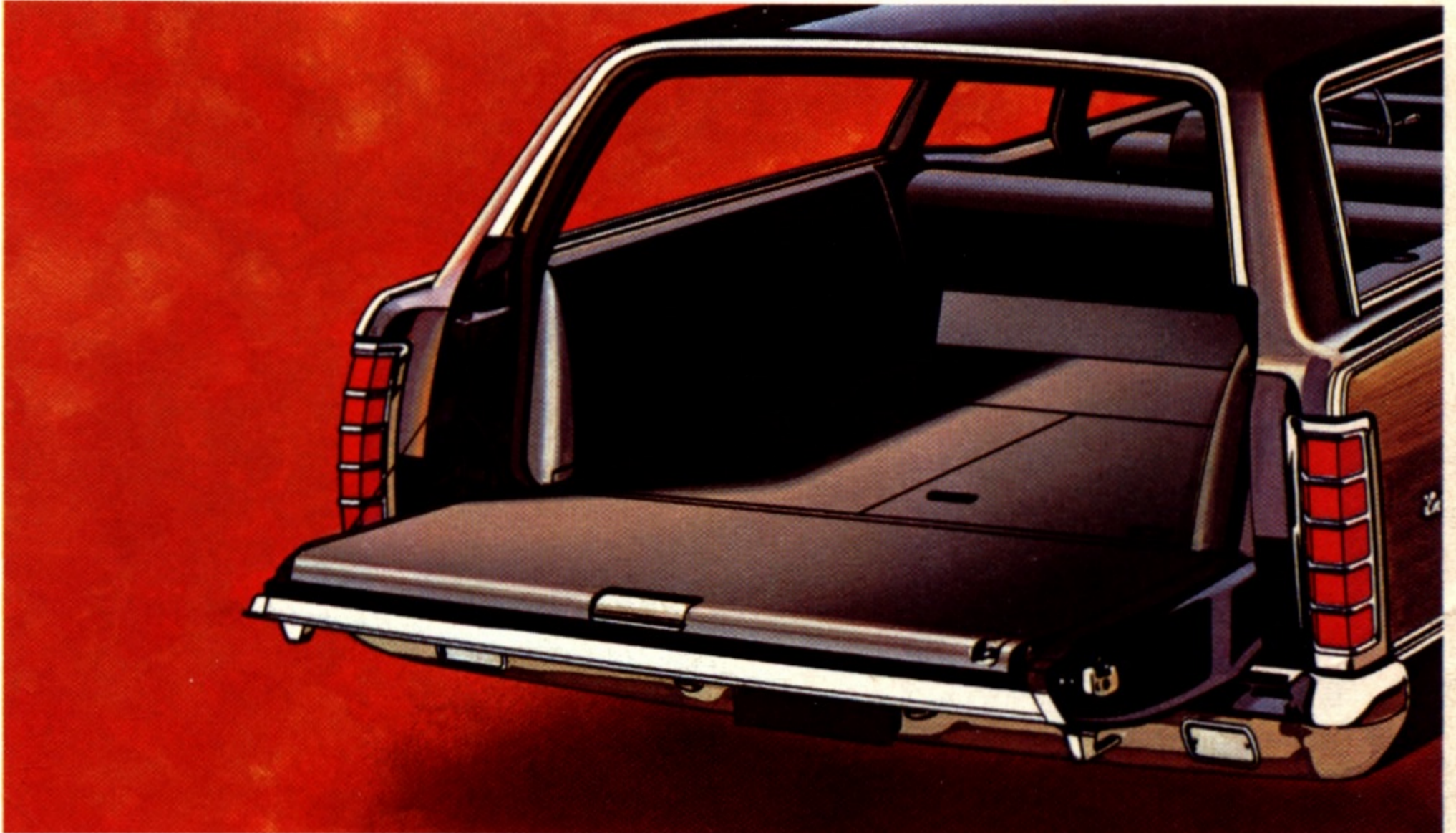
Lockable storage area lets you conceal precious cargo. It's out of sight—a below-deck compartment for all your valuable gear. Standard on all wagons.



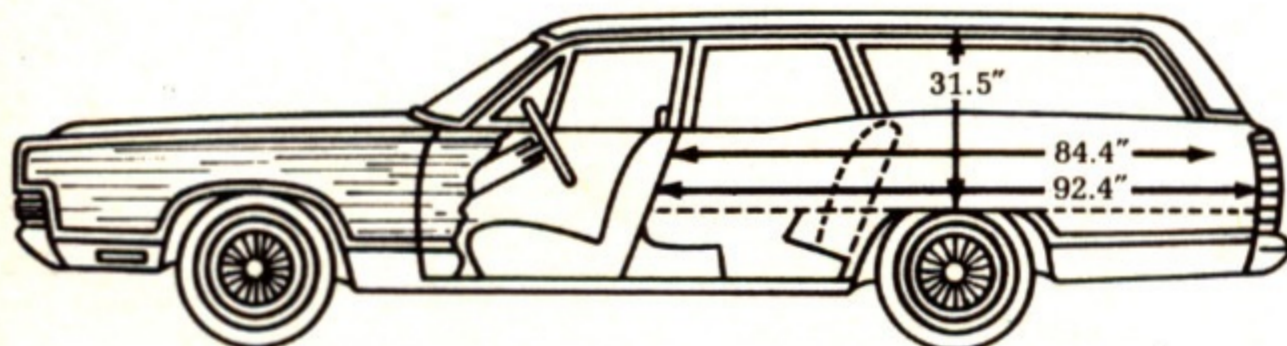
Optional rear window washer makes visibility easier. Lower rear window, press the washer button and raise the window to clean it. (Colony Park, Marquis and Meteor only.)



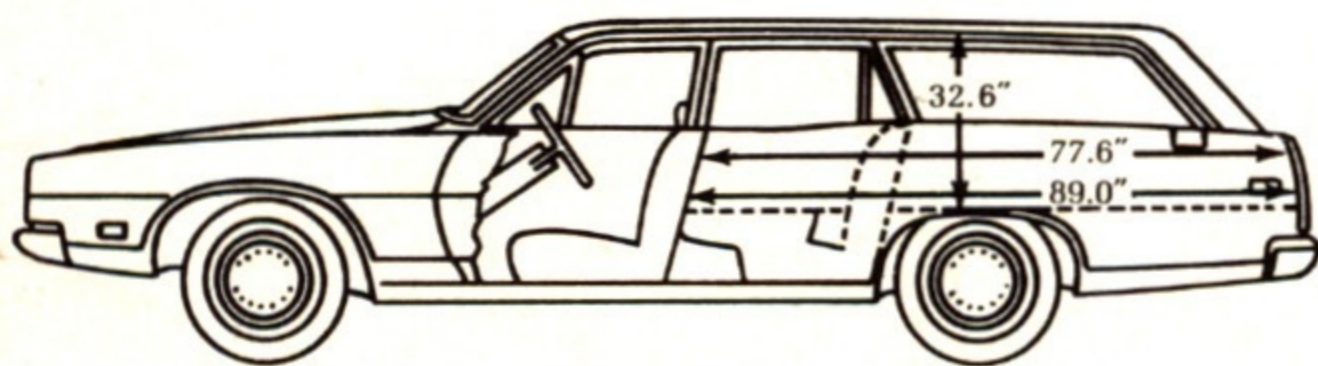
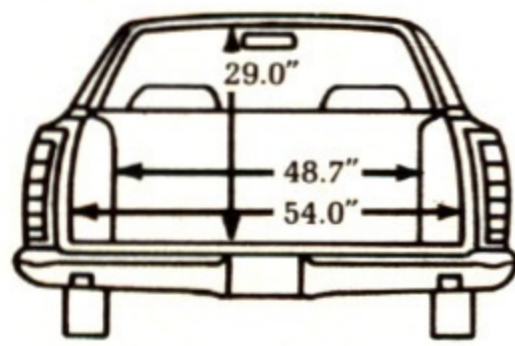
Dual-Action tailgate. It opens as a door for rear seat passengers (with the rear window up or down in Colony Park, Marquis and Meteor).



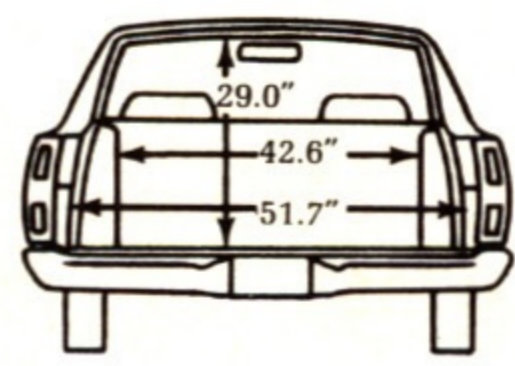
For loads and hauling, it drops flush with cargo floor. Yet another better idea!



Colony Park, Marquis and Meteor wagons permit you to carry 4-foot wood panels flat on the cargo floor, and an optional lockable side storage compartment is available for storing valuables (includes carpeted load area on Meteor).



Montego MX Villager and Montego MX hold more than 85.2 cubic feet of cargo, room for camping gear and bulky loads. A 7.6 cu. ft. lockable storage well provides out-of-sight storage.



SPECIAL OPTIONS FOR SPECIAL NEEDS

If you demand something extra from your station wagon, you'll be interested in the special equipment available as factory- or dealer-installed options. Options for comfort, convenience and driving help make station wagon living a better idea in a Mercury.

Factory-installed special Wagon options

For heavy-duty hauling or high-country travel, a 429-2V or 429-4V V-8 engine is available for Colony Park, Marquis and Meteor. For Montego, the 302-2V, 351-2V or 351-4V V-8 is available along with Select-Shift automatic transmission. You can also order trailer towing package or the Automatic Load Adjuster on Colony Park, Marquis and Meteor. You might also consider adding Traction-Lok axle for performance under heavy loads or special traction requirements.

Dealer-installed Wagon options

Adjustable Air Springs, recommended for big towing jobs, hauling needs or heavy loads, can be installed at the time you take delivery of your new wagon. Other special options your dealer can supply include trailer towing mirror and all-purpose pad, both designed to complement your '71 Mercury Wagon.

While the information herein was in effect when approved for printing, Ford Motor Company of Canada, Limited reserves the right to change specifications or design without notice and without liability therefor. Heater-defroster is included as regular equipment on all models. Some illustrations show cars with white sidewall tires, deluxe wheel covers and other styling, convenience or performance items that are optional at reasonable extra cost. Many are described herein; a full listing of options and accessories is available at your local authorized dealer.



LITHO IN CANADA (1)