

# 1989 FORD TEMPO





## 1989 FORD TEMPO

**T**he 1989 Ford Tempo has a lot going for it.

It has a sleek, aerodynamic shape that helps it hold the road. Four-wheel independent suspension, front stabilizer bar, power rack-and-pinion steering and

all-season radials give it remarkable reflexes and a smooth ride.

The computer-refined interiors are roomy and comfortable with seating for five. There are 2- and 4-door bodystyles. And Tempo is extremely well-equipped.

Tempo LX, for example, includes power locks, tilt wheel, electronic AM/FM stereo, and more among its many standard features.

Proven engineering features. Style. Comfort. And value. Add it all up and compare Tempo to the other

models in its class. When you do, we think you'll find Tempo not only has a lot going for it, but for you as well.

**BEST-BUILT AMERICAN CARS  
EIGHT YEARS RUNNING**

For the past eight consecutive years Ford quality

has led all other American car companies. That's based on an average of owner-reported problems in a series of surveys of '81-'88 models designed and built in North America.

*Ford Tempo LX in Silver Clearcoat Metallic.*

# COMFORT AND CONTROL

**G**etting comfortable in Ford Tempo is easy with its roomy interior and lengthy list of standard features. And Tempo is a joy to operate, too, with its ergonomically designed command center.

away. This is why Tempo's command center is ergonomically designed with strategically placed rotary controls and switches and why the instrument panel has large easy to read back-lit gauges with lighted pointers.

*Tempo LX instrument panel.*

*Some equipment shown may be optional. See the options list on page 21.*

### INTERIOR ROOM

Even though Tempo is classified as a compact car, it offers an EPA passenger volume index of over 89 cubic feet. And it is very usable space.

The interior of Tempo seats five passengers comfortably. The front bucket seats are contoured for firm, comfortable support. Over six inches of front-to-rear seat travel and reclining seat backs allow both driver and front seat passenger to find a comfortable seating position.

And all Tempos include a Luxury Sound Insulation Package that helps keep road noise down.

### FINGERTIP CONTROL

Ford cars are designed around two major components: you and the world around you.

Ford designers and engineers arrange controls on the basis of frequency of use and potential immediacy of driver need. This is why the headlight dimmer is stalk-mounted on the steering column, just a finger's reach

### CLIMATE CONTROL

The climate control system includes four dash-mounted heat vents adjustable for direction and flow. Plus, side window demisters help keep the windows free of condensation.

The climate control system with air conditioning, shown here, features push-button controls for easy operation. Air conditioning is available as an individual option and is included in several Special Value Groups.

### ENTERTAINMENT SYSTEMS

Rounding out Tempo's well-equipped interior are two stereo systems. They include the standard electronic AM/FM stereo radio in GL, LX and All-Wheel-Drive (AWD) models\* or the optional electronic AM/FM stereo with cassette tape player (standard in GLS). Both stereos feature seek tuning, 12 station presets, local/distant switch, digital clock, four speakers and more. The cassette includes Dolby® noise reduction and metal tape capability.

*\*Electronic AM/FM stereo radio may be deleted for credit.*





*Tempo LX interior in Medium Grey.  
Some equipment shown may be optional. See the options list on page 21.*



## ADVANCED ENGINEERING

**F**our-wheel independent suspension. Electronically controlled, multiple-port fuel injected engines. Power rack-and-pinion steering. Your choice of front-wheel drive or all-wheel drive on the Tempo All-Wheel-Drive models. These are just a few of the proven engineering features available to you with Ford Tempo.

## OCCUPANT SAFETY

Tempo comes equipped with a motorized automatic shoulder belt passive restraint system for front seat occupants. All you need to do is buckle your lap belt. And all Tempo 4-door models come with child-proof rear door locks.

## DRIVER AIR BAG SUPPLEMENTAL RESTRAINT SYSTEM

Tempo also offers a Driver Air Bag Supplemental Restraint System (SRS).\*

The air bag is concealed



**With the ignition off and the adjacent door open, the shoulder harness assumes the position shown on the left. Note that it is well out of the way so it doesn't interfere with entry or exit.**

**When the ignition is switched on and the door closed, the harness slides rearward in a track above the door (right). All you have to do is buckle the lap belt.**

and located in a module behind the center of the steering wheel. It is designed to deploy in the event of a serious frontal impact roughly equivalent to striking a similar-sized parked car at 25 miles per hour.

## DRIVE AND SUSPENSION SYSTEMS

All Tempos provide the traction of front-wheel drive and the firm, smooth ride afforded by a four-wheel fully independent suspension system with gas-pressurized struts and shocks. And the power-assisted rack-and-pinion steering features an 18.4:1 ratio.

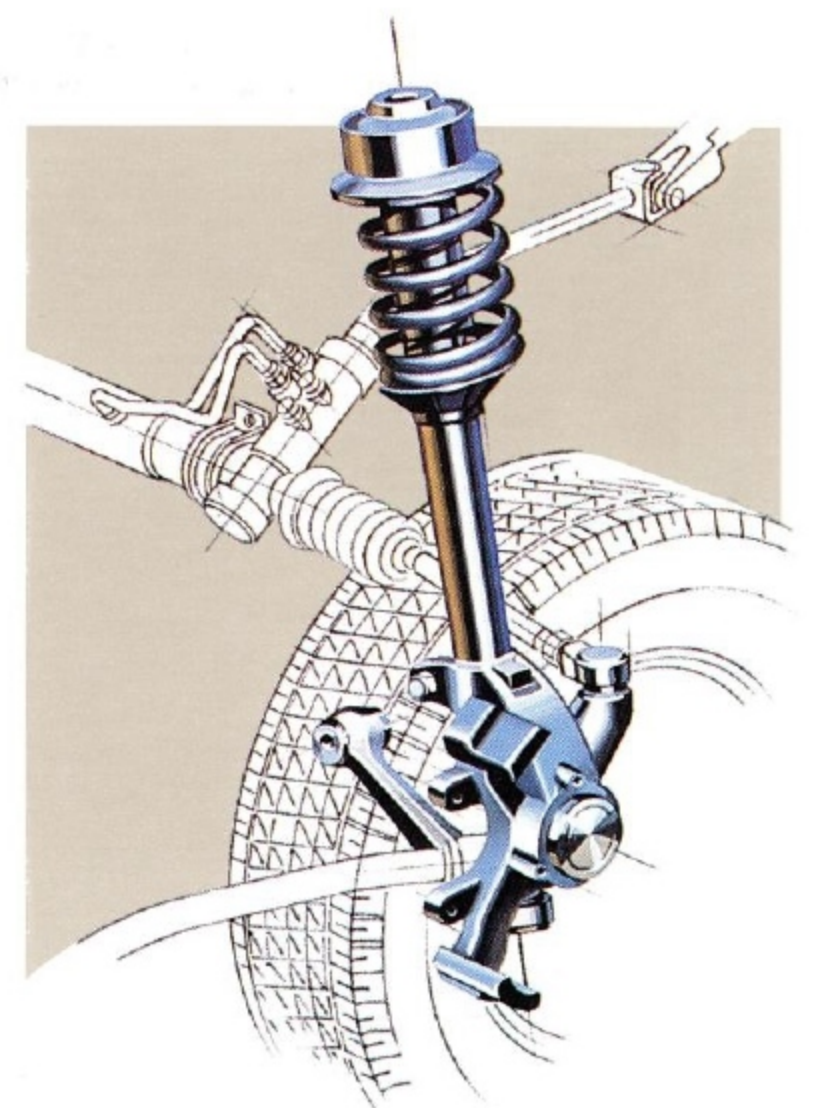
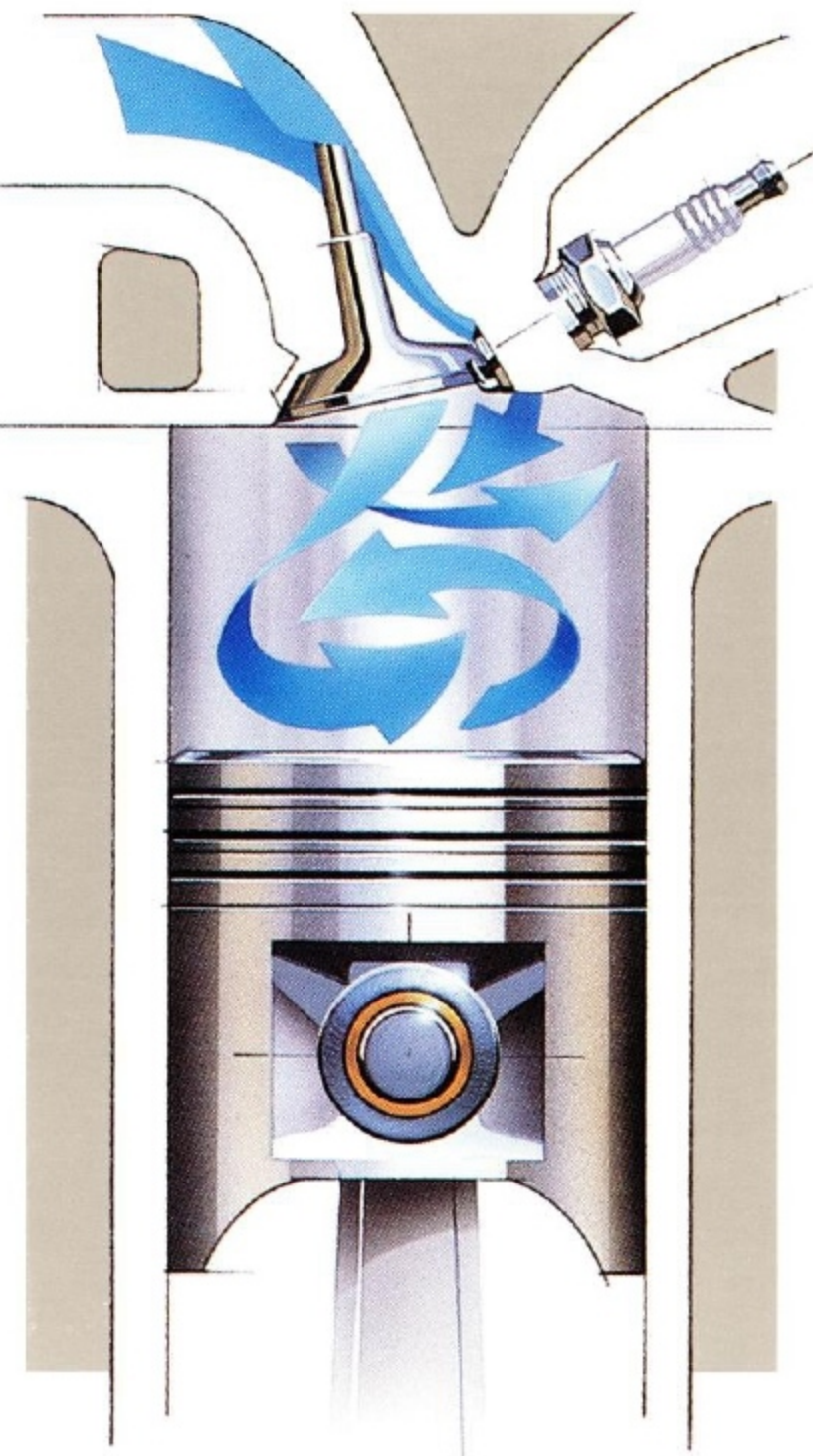
## MULTIPLE-PORT FUEL INJECTION AND HIGH SWIRL COMBUSTION (HSC)

Tempo's 2.3 liter HSC (GL and LX models) and the 2.3 liter HSO (Higher Specific Output, GLS and AWD models) engines are equipped with electronically controlled multiple-port fuel injection for improved overall operations. This fuel injection system provides smooth running and easy starting in temperature extremes.

Both the HSC and HSO engines incorporate "high swirl combustion chambers" that help you get the most power out of every drop of fuel.\*\*

\*Tempos equipped with SRS include manually operated integral lap and shoulder belts which should be used for maximum protection.

\*\*See Fuel Economy on page 23.



**Right: Tempo GLS 2-door in Wild Strawberry Clearcoat Metallic. Shown with optional Special Value Package 229A.**

**High swirl combustion and electronically controlled multiple-port fuel injection contribute to Tempo performance.**

**All Tempos feature power rack-and-pinion steering and a "negative scrub geometry." Simply put, this means that the turning axis of the front wheels intersects the road slightly outboard of the center line of the tires — an important factor in steering responsiveness.**



## FORD TEMPO LX

**T**empo LX comes well-equipped to handle the requirements of the comfort-minded, with an impressive list of standard features.

---

 INTERIOR APPOINTMENTS
 

---

Seats in Tempo LX are covered in luxury cloth trim. The front seat backs recline and include seat back map pockets. There's also a front fold-down center armrest and the carpeting is luxury weight.

Other comfort and convenience features include a five-position tilt steering wheel, power door locks, decklid release, remote fuel filler door release, dual electric remote-control mirrors, illuminated entry system and sport instrument cluster with tachometer and trip odometer.

---

 A ROAD-WORTHY  
TOURING SEDAN
 

---

On the road, the 4-door Tempo LX does more than provide you with a long list of standard equipment.

Tempo LX models are equipped with a four-wheel fully independent Touring Suspension System with front stabilizer bar, gas-pressurized front struts/rear shocks and stiffer (than standard) springs to give them a firm, smooth ride.

*Tempo LX in Crystal Blue Clearcoat Metallic. Shown with optional Special Value Package 233A.*



# FORD TEMPO GL

**T**he GL trim level represents traditional Tempo value, and sets the standard for all Tempo models.

## INTERIOR COMFORT

Inside, the standard front bucket seats are contoured and the seat backs recline for comfortable driver positioning.

Also standard are the electronic AM/FM stereo radio with digital clock and the center console. The ergonomically designed instrument panel helps give a spacious feeling for front seat occupants, and the backlit

gauges with lighted pointers are large and easy to read.

Under the hood the 2.3 liter HSC engine with electronically controlled multiple-port fuel injection provides plenty of performance. And for a smooth ride, GL's suspension system now includes gas-pressurized hydraulic front struts/rear shocks.

The 1989 Ford Tempo has a lot to offer the value-conscious buyer. Like special packages that save you money on groups of popular options. Special Value Packages are listed in detail on page 21.

*Tempo GL 4-door in Cabernet Red. Shown with optional Special Value Package 226A.*

*Tempo GL 2-door (below) in Graphite Clearcoat Metallic. Shown with optional Special Value Package 226A.*



*Tempo GL interior in Scarlet Red. Shown with optional Special Value Package 226A and optional automatic transaxle.*



# FORD TEMPO ALL-WHEEL DRIVE

Generally, Tempo's front-wheel drive provides plenty of traction. But, there may come a time when you'll want the extra traction afforded by an all-wheel-drive system. In Tempo AWD models, when that time comes, all you need do is push a button. The beauty of this system is that it gives you this reserve capability without compromising appearance or ride comfort.

## AWD POWERTEAM

Tempo AWD is powered by the 2.3L HSO engine coupled to the 3-speed automatic transaxle with fluid linked converter.

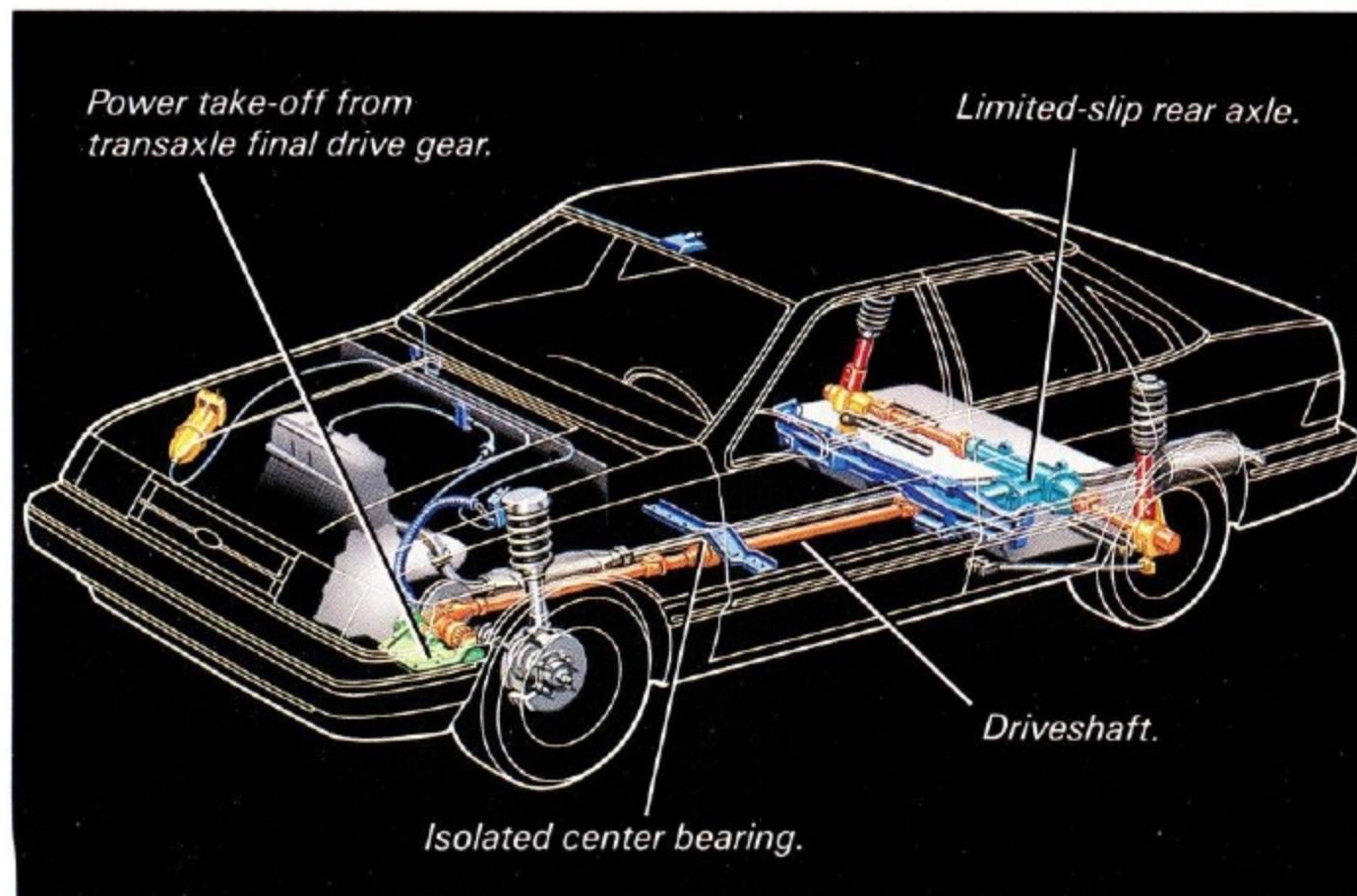
## THE COMFORT OF AWD

In Tempo AWD you'll find

the interior appointments are similar to that of the top-line LX. Including the luxury level carpeting, seat and door trim material, full instrumentation, AM/FM stereo radio and more. And like the LX, Tempo AWD is available as a 4-door only. Tempo AWD is not designed for off-road use. It's designed for on-road use where you and your family will need it most.

## AWD SPECIAL VALUE

Tempo AWD can be equipped with a Special Value Package. The Package includes power windows, tilt wheel, the power lock group and rear defroster at a substantial savings when compared to the price of the options purchased separately.



Tempo AWD is a "part-time" system. That simply means power is normally supplied to the front wheels only and that you can select the all-wheel-drive mode any time weather or road conditions warrant. And switching to all-wheel-drive is easy. Just flip the rocker switch in the overhead console to the "ON" position.



Tempo All-Wheel-Drive in Twilight Blue Clearcoat Metallic. Shown with optional Special Value Package 232A.

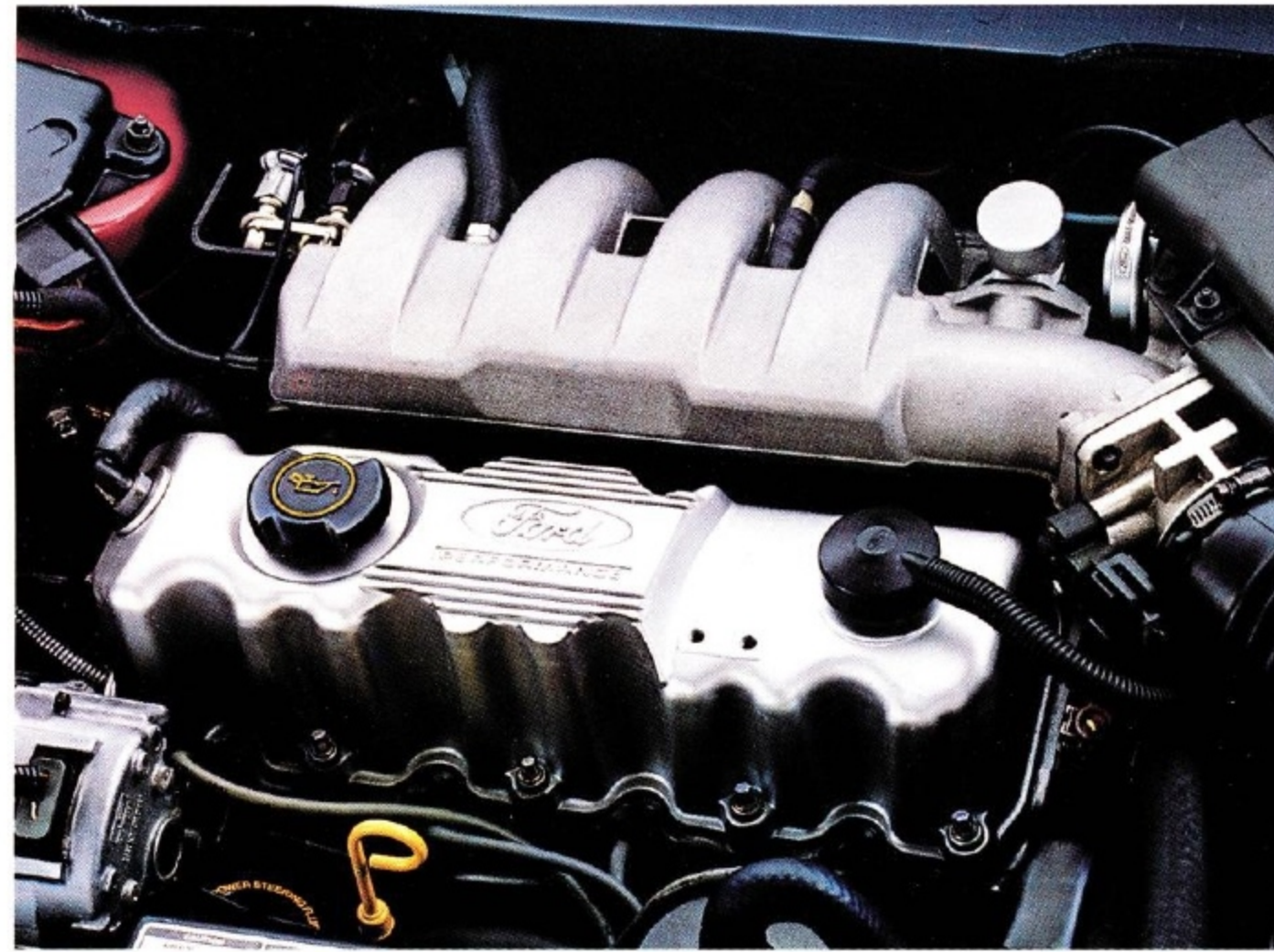


T E M P O

# FORD TEMPO GLS

1 9 8 9





# GLS

For those who want a little extra zip, Tempo offers the GLS model in 2- or 4-door bodystyles.

## IT STARTS UNDER THE HOOD

Under the hood sits a modified 2.3 liter overhead valve 4-cylinder engine. It has been given an "HSO" designation

for "Higher Specific Output" because it puts out slightly more horsepower and torque than the 2.3 liter HSC engines. The HSO engine also features electronically-controlled multiple-port fuel injection. It's coupled to the standard 5-speed manual transaxle (automatic transaxle is optional). Even the final drive gearing on the 5-speed is different to suit a more sporty attitude.

Tempo GLS is also equipped with the Touring

Suspension System which includes stiffer springs in addition to the front stabilizer bar, gas-pressurized hydraulic front struts/rear shocks and performance radials.

## PERFORMANCE SEATS

The front bucket seats in GLS are also designed for added performance. They feature high density foam pads in the side bolsters for good lateral support through turns. The lumbar support is power adjustable to provide optimum comfort for the lower back. The headrests are adjustable four ways.

Other notable features in GLS are the sport instrument cluster with tachometer and electronically tuned AM/FM stereo radio with cassette tape player and Dolby® noise reduction.

## GLS SPECIAL VALUE

For true extra value, consider Special Value Package 229A for your GLS. It includes air conditioning, power lock group, tilt-wheel, power driver's seat, premium sound and speed control.



*Tempo GLS interior in Scarlet Red. Shown with optional Special Value Package 229A.*



*Tempo GLS 4-Door in Black. Shown with optional Special Value Package 229A and Sport Appearance Group which is delayed until later in the year. See your dealer for details.*



# OPTIONS AND PREFERRED EQUIPMENT PACKAGES

**Y**ou will find a wide range of individual options available to allow you to personalize your Tempo. In addition, there are Special Value Packages — groups of popular options which, when purchased together, represent a substantial savings over the

same options if purchased separately — a smart way to add premium equipment to your vehicle.

### LX SPECIAL VALUE PACKAGE

Includes such items as automatic transaxle, air conditioning, decklid luggage rack (see A, below) and rear window defroster (addi-

tional options may be added but package content may not be changed).

### GL SPECIAL VALUE PACKAGE

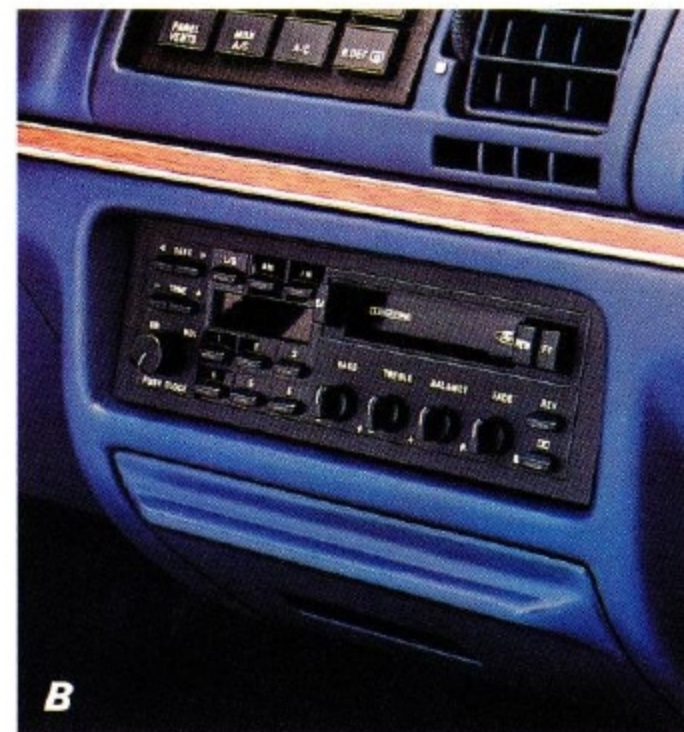
Includes such items as air conditioning, power lock group, dual remote-control mirrors, Light Group, rear defroster and tilt steering wheel.

New for this year are Special Value Packages available for Tempo GLS and Tempo AWD models. Packages are listed in detail on page 21. Content of packages is subject to change. For the latest information, consult your Ford Dealer.

**(A)** Decklid luggage rack, available on GL, LX, GLS 4-door and AWD models.



**(B)** Electronic AM/FM stereo radio with cassette tape player. Standard on GLS.



**(C)** Speed control uses tactile controls so it may be operated by feel. Available on all models.



**(D)** Driver Air Bag Supplemental Restraint System (SRS). Available on 4-door GL and LX models and in SRS GL Package 227A and SRS LX Package 234A. Certain restrictions apply. See your dealer for details.



**(E)** Air conditioning. Available on all Tempo models. Included in several Special Value Packages.



**(F)** Power driver's seat. Adjustable six ways. Optional on all models.



# FEATURES AND OPTIONS

### NOTABLE STANDARD FEATURES

#### TEMPO GL

##### Exterior

- Bright grille with titanium accents
- Aerodynamic halogen headlamps
- Wraparound taillamps/back-up lights
- Black lefthand mirror
- Dual full-surround upper molding system (4-door)
- Bodyside moldings
- Deluxe wheel covers

##### Interior

- Low back front bucket seats
- 2-point motorized front seat shoulder belt restraint system
- Manual lap belts
- Interval wipers

- Console
- Day/night rearview mirror
- Dual visor mirrors
- Tinted glass
- Side window demisters
- Inside hood release

- Electronic AM/FM stereo radio with integral digital clock — may be deleted for credit
- Luggage compartment cargo net (LX, AWD, GLS) (delayed availability, see your dealer for the latest information)

#### TEMPO LX (over GL)

##### Exterior

- Dual electric remote control mirrors
- Dual hood stripes

- Dual upper bodyside and decklid stripes
- Polycast wheels

##### Interior

- Luxury cloth seat trim with seat back map pockets
- Front center armrest
- Luxury-level carpeting
- Sport instrument cluster—tachometer, trip odometer, "door ajar" alert lights
- Light Group—ashtray, glove box, engine and luggage compartments, map lights and rear door dome light switch
- Tilt steering wheel
- Power Lock Group—door locks, remote controlled decklid and fuel filler door releases
- Illuminated Entry System

#### TEMPO AWD (over GL, LX)

##### Interior

- Overhead all-wheel-drive selector switch

#### TEMPO GLS (over GL, LX, AWD)

##### Exterior

- Black grille
  - Decklid spoiler (2-door)
  - 7-spoke aluminum wheels with locking lug nuts
- ##### Interior
- Sport performance bucket seats with power lumbar support and 4-way adjustable headrests
  - Leather-wrapped steering wheel
  - Electronic AM/FM stereo radio with cassette tape player and integral digital clock

### OPTIONS AND PREFERRED EQUIPMENT PACKAGES

O=Optional X=Included in Package (1)

	GL 225A	GLS 228A	LX 230A	AWD 231A	Preferred Equipment Packages					
					GL 226A	GL 227A	GLS 229A	LX 233A	LX 234A	AWD 232A
<b>Exterior</b>										
Dual electric remote-control mirrors	0				X	X				
Clearcoat paint	0	0	0	0	0	0	0	0	0	0
Decklid luggage rack (not available on GLS 2-door)	0	0	0	0	0	0	0	X	X	0
Polycast wheels	0				0	0				
<b>Interior</b>										
Power driver's seat	0	0	0	0	0	0	X	0	0	0
Driver Air Bag Supplemental Restraint System (SRS) 4-door models only (2)	0		0			X			X	
Sport instrument cluster: tachometer, trip odometer, door ajar lights	0				0	0				
Light Group (3)					X	X				
Rear window defroster	0	0	0	0	X	X	0	X	X	X
Electronic AM/FM stereo radio with cassette tape player and integral digital clock	0		0	0	0	0		0	0	0
Tilt steering wheel	0	0		0	X		X			X
Power Lock Group (4)	0	0		0	X	X	X			X
Air conditioning	0	0	0	0	X	X	X	X	X	0
Power windows (4-door)	0	0	0	0	0	0	0	0	0	X
Sports Appearance Group (5)			0				0			
Premium sound system	0	0	0	0	0	0	X	0	0	0
Speed control	0	0	0	0	0		X	0		0

(1) Contents of Preferred Equipment Packages are subject to change. For the latest information, as well as details on package discounts, consult your Ford Dealer. (2) Includes integral manually operated front seat lap and shoulder belts. (3) Includes ashtray, glove box, luggage compartment, engine compartment, rear door dome light switch and map lights. (4) Includes power door locks, remote-control fuel filler door and remote-control decklid release. (5) Available on 4-door GLS only in monotone Black, White or Cabernet Red. Includes cladding. Availability of the Sports Appearance Group will be delayed until later in the year. Your dealer is your best source for up to date information.

# COLORS AND TRIMS

# SPECIFICATIONS

# SAFETY AND OWNER BENEFITS

## GL, LX AND AWD COLORS AND TRIMS

Interior Trim Colors	Regatta Blue	Scarlet Red	Medium Grey	Sand Beige	Exterior Paint Colors
	X	X	X		Black
	X	X			Cabernet Red
			X		Almond
X					Spinnaker Blue
X	X	X	X	X	Oxford White
					<b>Clearcoat Metallic Paint*</b>
	X	X			Wild Strawberry
	X	X			Graphite
			X		Medium Sandalwood
			X		Light Sandalwood
X		X			Twilight Blue
X					Crystal Blue
X	X	X			Silver

## GLS COLORS AND TRIMS

Interior Trim Colors	Regatta Blue	Scarlet Red	Medium Grey	Sand Beige	Exterior Paint Colors
	X	X			<b>Clearcoat Metallic Paint*</b>
			X		Wild Strawberry
X					Twilight Blue
X	X	X			Silver
					<b>Lower Accent Treatment (Dark Titanium*)</b>
	X	X	X		Black
	X	X			Cabernet Red
X	X	X	X		Oxford White
					<b>Clearcoat Metallic Paint*</b>
	X	X			Graphite
			X		Light Sandalwood

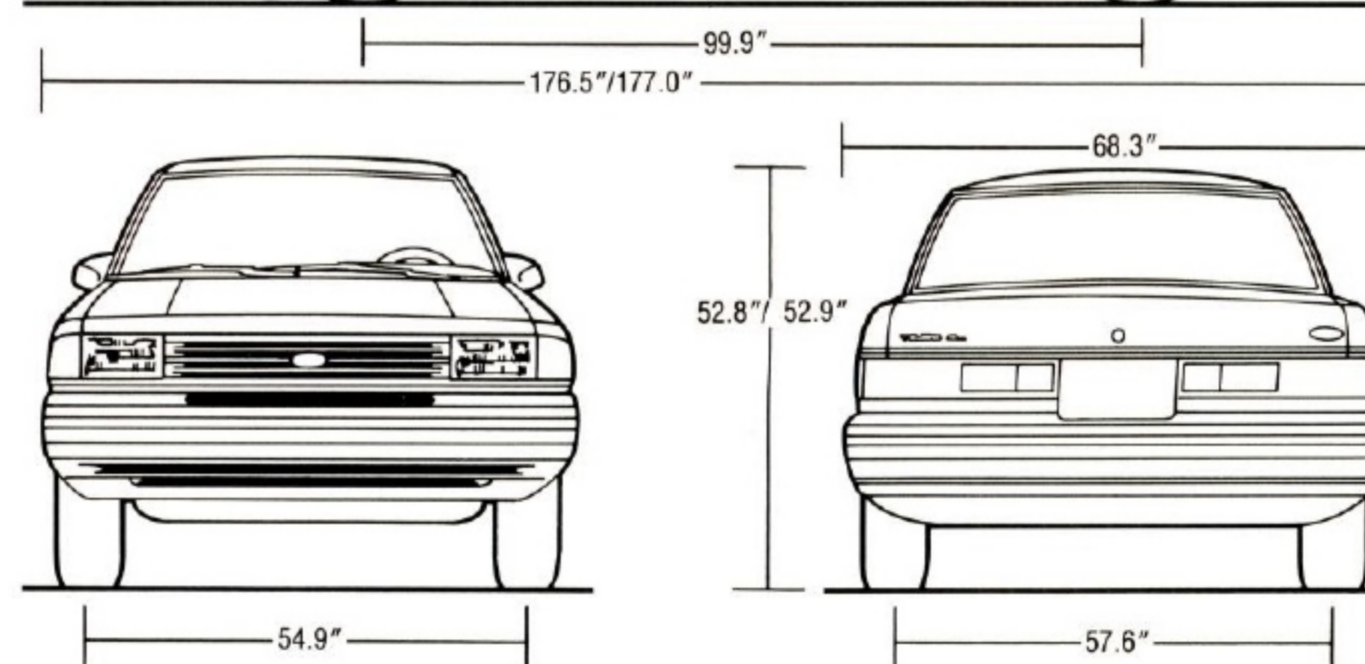
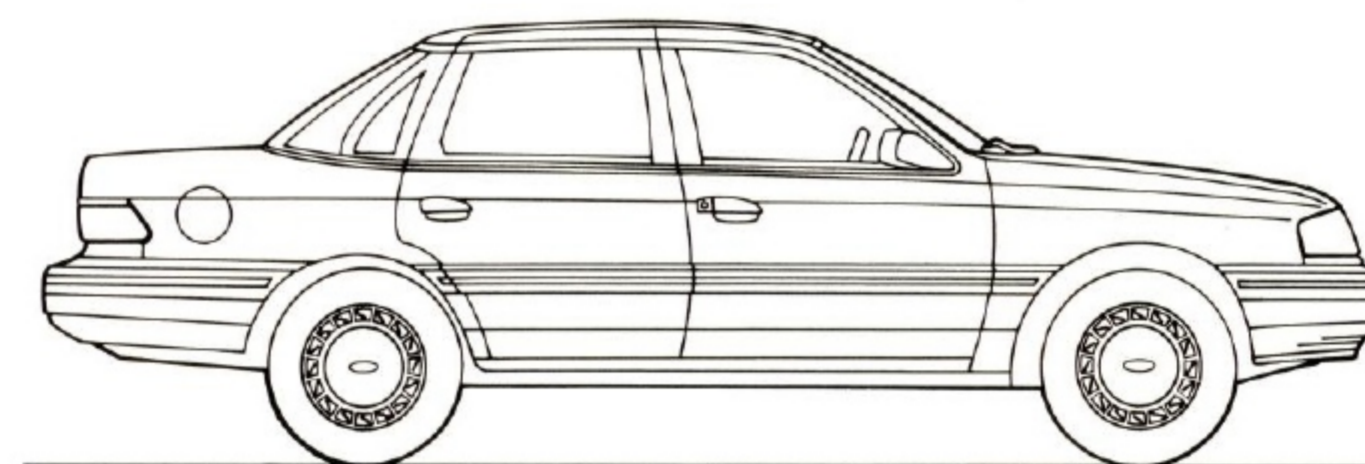
\*Extra Cost

## SPECIFICATIONS

Engine type	2.3L HSC overhead valve in-line 4-cylinder (2.3L HSO on GLS and AWD)
Compression ratio	9.0:1
Induction system	Electronic fuel injection, multiple port
Fuel tank	15.4 gallons (14.2 in AWD)
Transaxle	5-speed manual (3-speed FLC automatic in AWD)
Front suspension	Independent MacPherson strut front drive with dual path strut-mounted coil springs, forged lower control arms and cast steering knuckles, gas-pressurized hydraulic struts
Rear suspension	Parallel four bar fully independent MacPherson strut with coil spring offset on shock strut; parallel suspension arm and tie bar, gas-pressurized hydraulic struts
Steering	Power rack and pinion, 18.4:1 ratio
Brakes	Power front disc/rear drum, dual hydraulic split diagonal, pinslides-type
Wheels	Deluxe wheel covers on GL models; Polycast on LX and AWD models; 7-spoke aluminum with locking lug nuts on GLS models
Tires	P165/70R14 BSW all-season on GL models; P165/70R14 BSW Performance/all-season on LX, AWD and GLS models (WSW tires available on GL, LX and AWD models)

## DIMENSIONS

	2-Dr./4-Dr.
Wheelbase	99.9"
Length	176.5"/177.0"
Height	52.8"/52.9"
Width	68.3"
Front tread	54.9"
Rear tread	57.6"
Cargo volume (cu. ft.)	13.2/12.9
Curb weight (lb.)	2,529/2,587
Passengers	5



Ford Motor Company strongly encourages all passengers to use their safety belts. Ford urges the use of child and infant restraints, as required by law in all states. Ford's easy-to-install Tot-Guard (for children 20 to 50 pounds) is available at all Ford Dealers. If a child restraint requires a top-tether, Ford cars provide for attachment of an anchor at each rear seating position.



## FORD LIFEGUARD DESIGN SAFETY FEATURES

### Vehicle operation

Split diagonal hydraulic brake system with warning light  Corrosion-resistant brake lines  Flash-to-pass headlamps  Turn indicator with lane-changing signal feature  Hazard warning flasher  Backup lights  Parking lights coupled with headlamps  High-mount brake lamp  Two-speed windshield wipers  Windshield washers  Outside rearview mirror, driver's side  Glare-reduced instrument panel, windshield wiper arms and windshield pillars  Uniform transaxle shift quadrant with safety starting switch (on all cars equipped with automatic transaxle)  Clutch or neutral interlock for starter motor (on cars with manual transmissions)  Continuously variable control illumination intensity (instrument cluster lighting)  Safety hood latch system  Responsive windshield defroster system  Tamper-resistant (non-reversing) odometer  55-mph highlighted speedometer (on cars with analog speedometer)

### Occupant protection

Safety-designed front end structure  Safety-designed roof structure  Steel guard rails in side doors  Safety-designed door hinges and double yoke safety door latches  2-point motorized shoulder belt restraint system with manual front lap safety belts for occupants of front seats  Integral manual lap and shoulder belts on when equipped with the optional Driver Air Bag Supplemental

Restraint System  Visible and audible safety belt fastening reminder light and chime for the driver's seat  Lap belts for rear seat occupants  Energy-absorbing steering column and steering wheel  Energy-absorbing armrests and safety-designed door handles  Energy-absorbing instrument panel with padding  Energy-absorbing sun visors  Energy-absorbing front seat back tops  Self-locking seat back latches (2-door vehicles)  Head restraints for front outboard occupants  Safety glove box latch  Inside yieldaway rearview mirror  Impact-absorbing laminated safety glass windshield  Flame-resistant interior materials  Safety-designed coat hooks  Safety-designed radio control knobs and push buttons

## 6-YEAR/60,000-MILE POWERTRAIN WARRANTY

Ford's powertrain warranty covers all new cars for 6 years or 60,000 miles, whichever comes first. This limited warranty covers major powertrain components. Certain restrictions and deductible apply. Ask your dealer for a copy.

## 6-YEAR/100,000-MILE CORROSION PROTECTION

Tempo's corrosion warranty coverage for outer body panel rust-through is 6 years or 100,000 miles, whichever comes first. See your Ford Dealer for details and a copy of this new limited warranty.

## FUEL ECONOMY

1989 EPA mileage estimates were not available at the time this publication was approved for printing. See your Ford Dealer.

## 5 MILE-PER-HOUR BUMPERS

Ford Tempo has impact-resistant front and rear bumpers that meet the damageability requirements of the Federal Bumper Standard at 5-mph (exceeding the Standard's 2.5-mph requirement).

## SCHEDULED MAINTENANCE

Here are some examples of scheduled maintenance intervals for the 1989 Tempo. For complete recommendations, refer to the Scheduled Maintenance and Record Log.

Engine oil and filter change	..... each 7,500 miles or 6 months
Spark plug change	..... each 30,000 miles
Air filter replacement	..... each 30,000 miles
Engine coolant replacement	..... each 30,000 miles or 3 years



Participating Ford Dealers offer the Lifetime Service Guarantee, which guarantees their customer-paid work on your Ford vehicle for as long as you own it. The covered repair is paid for once. If it ever has to be fixed again, the repairing dealer will fix it free. Ask to see this limited warranty when you visit your participating Ford Dealer.



Optional Ford Extended Service Plans cover major components on new Ford cars and light trucks for longer than the vehicle's basic warranty. Your Ford Dealer has full details.

## Motorcraft QUALITY REPLACEMENT PARTS FROM FORD

Genuine Ford and Motorcraft original equipment replacement parts meet the same high standards as those installed in production.



The leasing alternative is available through your Ford Dealer. A participating dealer can arrange financing terms or a Red Carpet Lease® tailored to your circumstances through Ford Credit.

## Ford-paid repair programs after the warranty period

Sometimes Ford offers adjustment programs to pay all or part of the cost of certain repairs. These programs are intended to assist owners and are in addition to the warranty or to required recalls.

### Technical service bulletins

All vehicles need repairs during their lifetime. Sometimes Ford issues technical service bulletins (TSBs) and easy-to-read explanations describing unusual engine or transmission conditions which may lead to costly repairs, the recommended repairs, and new repair procedures. Often a repair now can prevent a more serious repair later.

### For more information...

Ask Ford Motor Company or your Ford or Lincoln Mercury, Scorpio or XR4Ti Dealer about Ford-paid repair programs and/or TSBs relating to your vehicle.

To get copies of these materials for your vehicle or the vehicle of interest to you: Call Ford toll-free at 1-800-241-3673. Alaska/Hawaii call 1-800-241-3711 and in Georgia call 1-800-282-0959.

Or write Ford at:  
Ford Customer Information System  
Post Office Box 95427  
Atlanta, Georgia 30347

We'll need your name and address, year, make, model, and vehicle identification number, as well as engine size, and whether you have a manual or automatic transmission.

### Options availability

Options shown or described in this catalog are available at extra cost and may be offered only in combination with other options or subject to additional ordering requirements or limitations.

### Product changes

Ford Division reserves the right to change product specifications at any time without incurring obligations.

### "Ask your Ford Dealer"

Following publication of this catalog, certain changes in standard equipment, options, prices and the like, or product delays, may have occurred which would not be included in these pages. Your Ford Dealer is your best source for up-to-date information.

